

## Directional seated valves type VH, VHR and VHP

The directional seated valves types VH, VHR and VHP operate leakage free and are available in two different sizes. They are operated via a hand lever on an eccentric shaft transferring the switching moment to an actuation pin acting on the valve elements (balls). The actuation either features a detent or is self returning to its idle position. Valve banks type VHR are also available, featuring individual valves (type VH) connected in parallel and held together with tension rods. Valves type VHP size 1 is also available as individual manifold mounting version.

### Features and benefits:

- Max. pressure 700 bar (manual actuation)
- Actuation using hand lever with automatic centring in zero position or with notch
- Different arrangements in valve bank possible
- Leakage-free seated valve technology

### Intended applications

- Machines for construction and construction material
- Offshore and marine technology
- Process engineering systems
- Oil hydraulics and pneumatics



<b>Nomenclature:</b>	Directional seated valve, zero leakage
<b>Design:</b>	Individual valve for pipe connection Individual valve, manifold mounting, bankable
<b>Actuation:</b>	Manual
<b>p<sub>max</sub>:</b>	500 ... 700 bar
<b>Q<sub>max</sub>:</b>	12 ... 25 lpm

### Design and order coding example

VH 1	H1
VHR 1	G1/N1/E1

**Function/valve sections with actuation** Hand lever with automatic return (1) or detent (2)

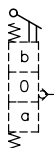
#### Additional versions:

- Actuation with idle position monitoring via contact switch, available either as indiv. valve or valve bank

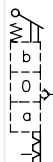
**Basic type, size** Type VH (Individual valve for pipe connection)  
Type VHP (Individual valve, manifold mounting)  
Type VHR (Valve bank)  
Size 1 and 2

### Actuations:

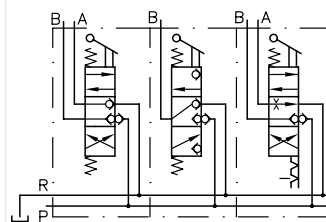
#### Return spring



#### Detent



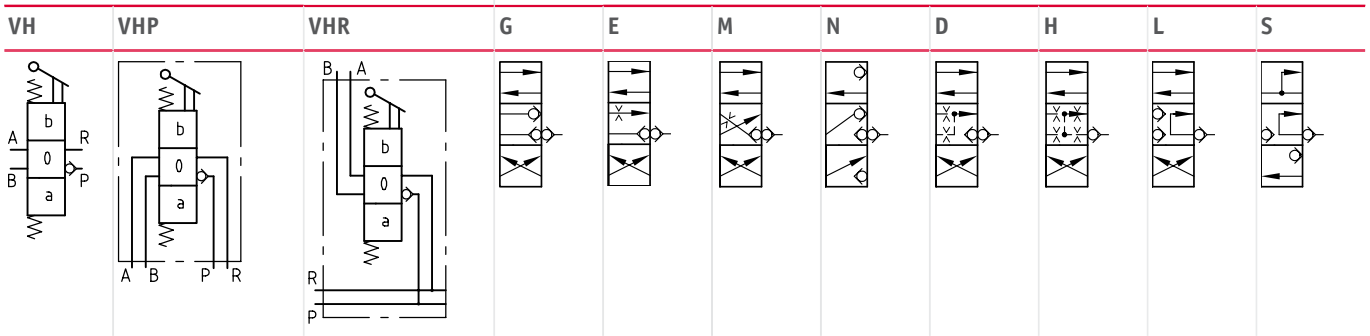
Symbol type VHR..



- Return spring: The automatic return is limited to operating pressure of 50 bar. The hand lever has to be returned manually at operating pressure between 50 ... 700 bar.

## Function

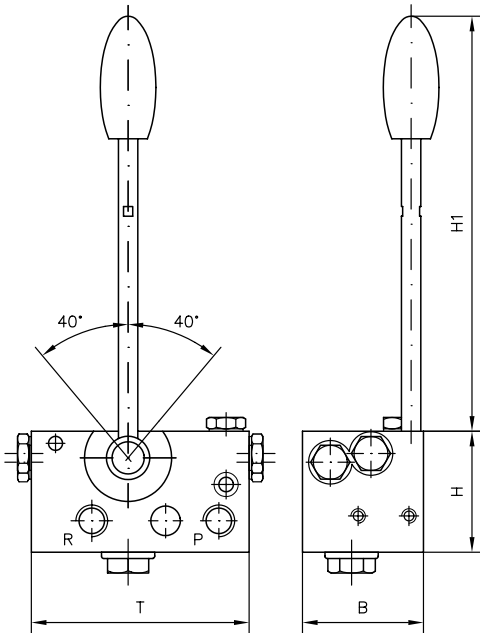
### Basic symbols



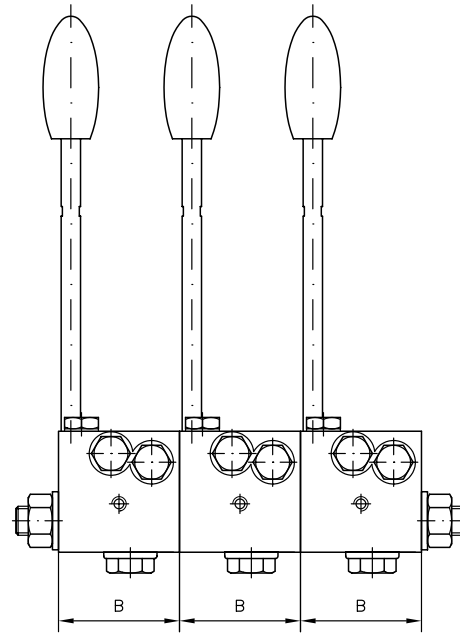
- Max. 7 or 5 valves for type VHR, (size 1 or 2) may be combined
- Type L and S individual valve only, not for type VHR

## General parameters and dimensions

### Individual valve VH..



### Valve bank VHR..



	Q <sub>max</sub> [lpm]	p <sub>max</sub> [bar]	Ports	Dimensions [mm]				m [kg]
				H	H1	B	T	
VH 1, VHP 1, VHR 1	12	700	G 1/4	50	approx. 172	50	90	1.6
VH 2, VHR 2	25	500	G 3/8	60	approx. 162	60	120	3

### Associated technical data sheets:

- Directional seated valves type VH, VHR, VHP: [D 7647](#)

### Similar products:

- Directional seated valves type BVG 1, BVP 1, NBVP 16: [D 7400](#), [D 7765 N](#)
- Shut-off valves type DA, EA: [D 1741](#)