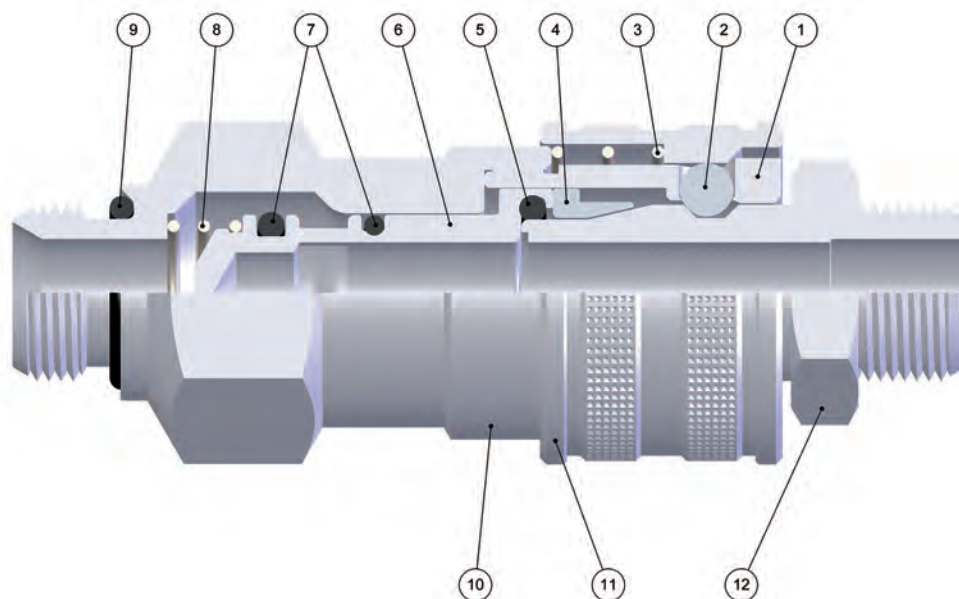
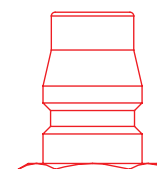
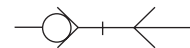


# Serie 400 - Japanese Profile

## Caratteristiche Tecniche / Technical Characteristics



DN 7,5 mm



JAPANESE  
1:1

**FKM a richiesta**  
*FKM If required*

## Materiali e Componenti / Component Parts and Materials

- |  |  |
|--|--|
| 1 Corpo In Ottone Nichelato                        | 1 Nickel-Plated Brass Body                     |
| 2 Sfera In Acciaio Aisi 420                        | 2 Stainless Steel Aisi 420 Balls               |
| 3 Molla Ghiera In Acciaio Aisi 302                 | 3 Stainless Steel Aisi 302 Ring Nut Spring     |
| 4 Anello Guida Innesto In Acciaio Aisi 303         | 4 Stainless Steel Aisi 303 Guide Ring Coupling |
| 5 Guarnizione O-Ring Innesto In Nbr                | 5 Nbr Plug O-Ring Seals                        |
| 6 Otturatore In Ottone Nichelato                   | 6 Nickel-Plated Brass Shutter                  |
| 7 Guarnizione O-Ring Otturatore In Nbr             | 7 Nbr Shutter O-Ring Seals                     |
| 8 Molla Otturatore In Acciaio Aisi 302             | 8 Stainless Steel Aisi 302 Shutter Spring      |
| 9 Guarnizione O-Ring Filetto attacco finale In Nbr | 9 Thread Final Connection Nbr O-Ring Seals     |
| 10 Attacco Terminale In Ottone Nichelato           | 10 Nickel-Plated Brass Coupling Back Part      |
| 11 Ghiera In Ottone Nichelato                      | 11 Nickel-Plated Brass Sleeve                  |
| 12 Innesto In AVP                                  | 12 AVP Plug Outline                            |

## Pressioni / Pressures

Pressione d'esercizio: 0 - 25 bar  
Working pressure: 0 - 25 bar

## Portate / Flow Rate

Portate in NI/min Flow Rate in NI/min		
6 bar Δ 1	6 bar Δ 0,5	6 bar Δ 0 Scarico Libero Exhaust Free
1350	1050	2050

## Filettature / Threads

Gas cilindrica conforme ISO 228  
Parallel gas in conformity with ISO 228.

## Temperature / Temperatures

Temperatura minima / Minimum temperature: -20 °C  
Temperatura massima / Maximum temperature: +80 °C  
NB: -10°C - +200°C CON O-RING IN FKM  
NB: -10°C - +200°C WITH FKM O-RING SEAL

## Tubi di collegamento / Connection Tubes

Tubi in materiale plastico, lineari o spiralati. Tubi in gomma.

Flexible tubes in plastic and rubber.

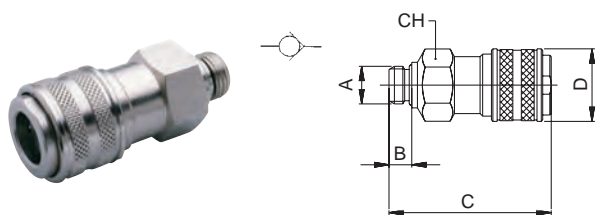
## Fluidi compatibili / Fluids

Aria compressa / Compressed air.

**Per altri fluidi, Consultare l'ufficio tecnico Aignep.**  
*For other fluids, consult the technical department Aignep.*

# 401

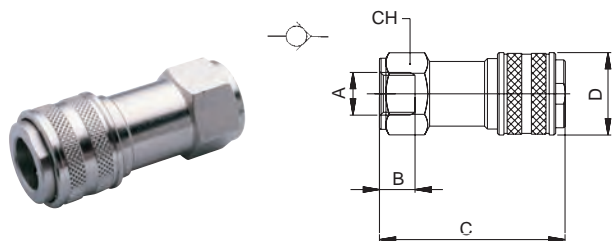
PRESA CON ATTACCO MASCHIO - MALE SOCKET



Codice Code	A	B	C	D	CH	Conf. Pack.
0040100001	1/4	8	57	25.5	22	10
0040100002	3/8	9	58	25.5	22	10
0040100003	1/2	10	58	25.5	25	10

# 402

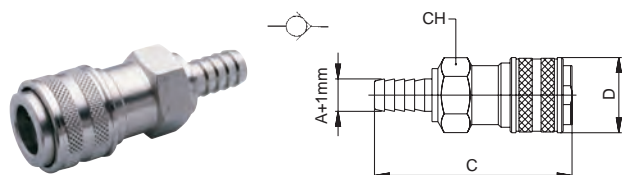
PRESA CON ATTACCO FEMMINA - FEMALE SOCKET



Codice Code	A	B	C	D	CH	Conf. Pack.
0040200001	1/4	11	57.5	25.5	22	10
0040200002	3/8	12	58.5	25.5	22	10
0040200003	1/2	15	61.5	25.5	24	10

# 405

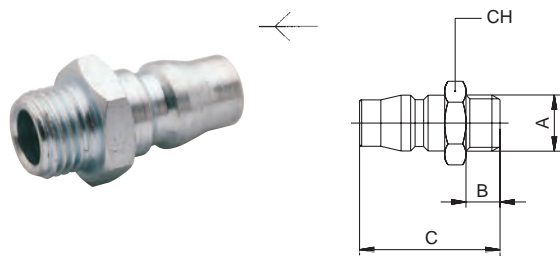
PRESA CON PORTAGOMMA A RESCA - SOCKET WITH REST FOR RUBBER HOSE



Codice Code	A	C	D	CH	Conf. Pack.
0040500002	8	67	25.5	22	10
0040500003	10	67	25.5	22	10
0040500004	12	67	25.5	22	10

# 501AC

INNESTO IN AVP CON ATTACCO MASCHIO - AVP MALE PLUG

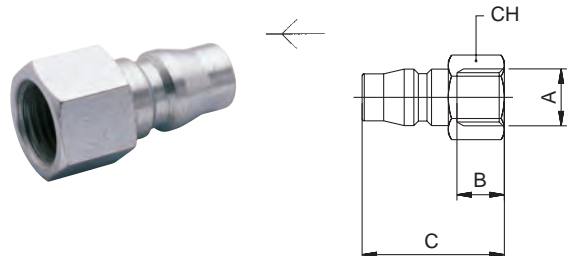


Codice Code	A	B	C	CH	Conf. Pack.
501AC005103ZI	1/4	8	33	17	25
501AC005104ZI	3/8	9	34	19	25
501AC005105ZI	1/2	10	35.5	24	25

**ACCIAIO  
STEEL**

# 502AC

INNESTO IN AVP CON ATTACCO FEMMINA - AVP FEMALE PLUG

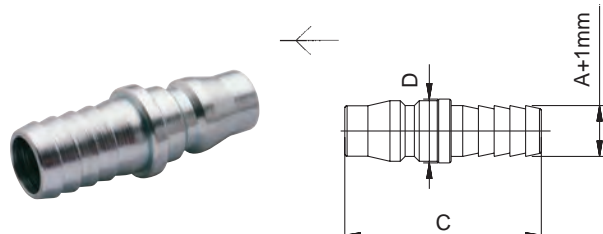


Codice Code	A	B	C	CH	Conf. Pack.
502AC005103ZI	1/4	11	33	17	25
502AC005104ZI	3/8	12	33.5	19	25
502AC005105ZI	1/2	15	37	24	25

**ACCIAIO  
STEEL**

# 505AC

INNESTO IN AVP CON PORTAGOMMA A RESCA - AVP PLUG WITH REST FOR RUBBER HOSE

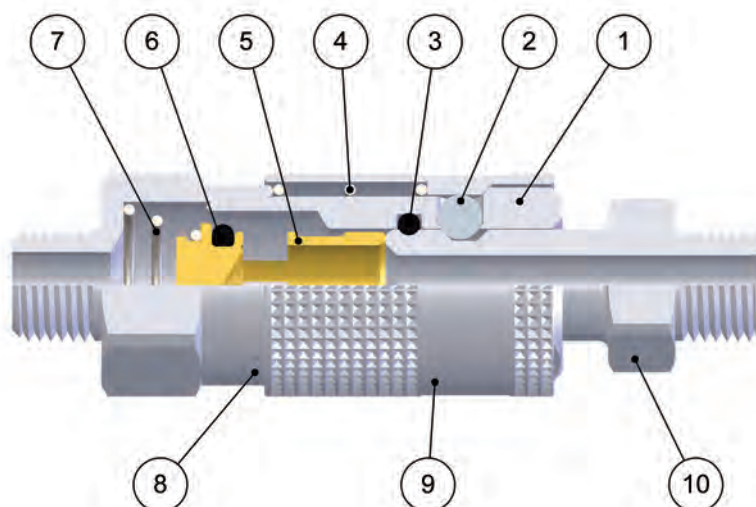


Codice Code	A	C	D	Conf. Pack.
505AC0051X7ZI	8	39.5	13	25
505AC0051X9ZI	10	42.5	14	25
505AC0051Y1ZI	12	42.5	16	25

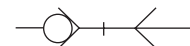
**ACCIAIO  
STEEL**

## Serie 700

### Caratteristiche Tecniche / Technical Characteristics



DN 2,7 mm



1:1

**FKM a richiesta**  
FKM If required

### Materiali e Componenti / Component Parts and Materials

- |   |  |
|---|--|
| 1 Corpo In Ottone Nichelato             | 1 Nickel-Plated Brass Body                 |
| 2 Sfera In Acciaio Aisi 420             | 2 Stainless Steel Aisi 420 Balls           |
| 3 Guarnizione O-Ring Innesto In Nbr     | 3 Nbr Plug O-Ring Seals                    |
| 4 Molla Ghiera In Acciaio Aisi 302      | 4 Stainless Steel Aisi 302 Ring Nut Spring |
| 5 Otturatore In Ottone                  | 5 Brass Shutter                            |
| 6 Guarnizione O-Ring Otturatore In Nbr  | 6 Nbr Shutter O-Ring Seals                 |
| 7 Molla Otturatore In Acciaio Aisi 302  | 7 Stainless Steel Aisi 302 Shutter Spring  |
| 8 Attacco Terminale In Ottone Nichelato | 8 Nickel-Plated Brass Coupling Back Part   |
| 9 Ghiera In Ottone Nichelato            | 9 Nickel-Plated Brass Sleeve               |
| 10 Innesto In Ottone Nichelato          | 10 Nickel-Plated Brass Plug Outline        |

### Pressioni / Pressures

Pressione d'esercizio: 0 - 12 bar  
Working pressure: 0 - 12 bar

### Portate / Flow Rate

Portate in NI/min Flow Rate in NI/min		
6 bar Δ 1	6 bar Δ 0,5	6 bar Δ 0 Scarico Libero Exhaust Free
235	175	295

### Filettature / Threads

Gas cilindrica conforme ISO 228  
Parallel gas in conformity with ISO 228.

### Temperature / Temperatures

Temperatura minima / Minimum temperature: -20 °C  
Temperatura massima / Maximum temperature: +80 °C

NB: -10°C - +200°C CON O-RING IN FKM  
NB: -10°C - +200°C WITH FKM O-RING SEAL

### Tubi di collegamento / Connection Tubes

Tubi in materiale plastico, lineari o spiralati. Tubi in gomma.

Flexible tubes in plastic and rubber.

### Fluidi compatibili / Fluids

Aria compressa / Compressed air.

**Per altri fluidi, Consultare l'ufficio tecnico Aignep.**  
For other fluids, consult the technical department Aignep.