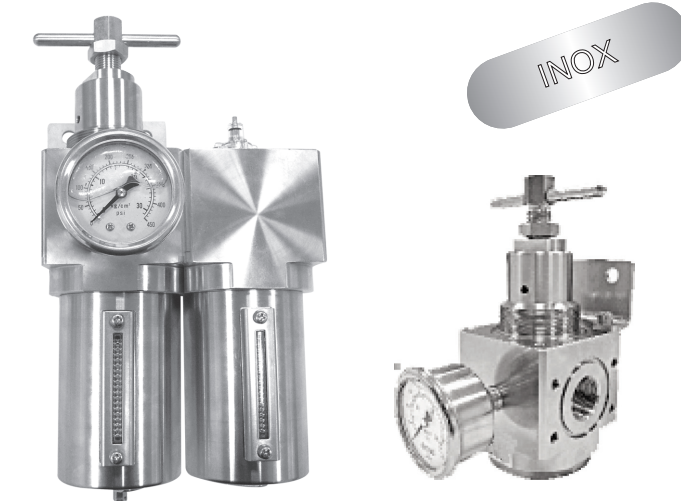


Execution			
Version	Symbol	Code	Item
Filter-regulator + lubricator		090606	A01FRRLX
Filter-regulator		090603	A01FRRX
Filter		090609	A01FX
Regulator		090612	A01RX
Lubricator		090615	A01LX



All the air preparation units are available to be certified according to 94/9/EC - ATEX

Option	Suffix
Low pressure (0.5 ÷ 12 bar)	L
Filter 40 cartridge	40
NPT threading	NPT
Cup sight glass level (only for low pressure)	W
Seals for low temperature -40 ÷ +150°C	BT

Series of modular units in stainless steel AISI 316 suitable for industrial application like: food, medical, chemical, Oil & Gas and mining.

Light weight and compact size for space saving, the air preparation units have the following standard features :

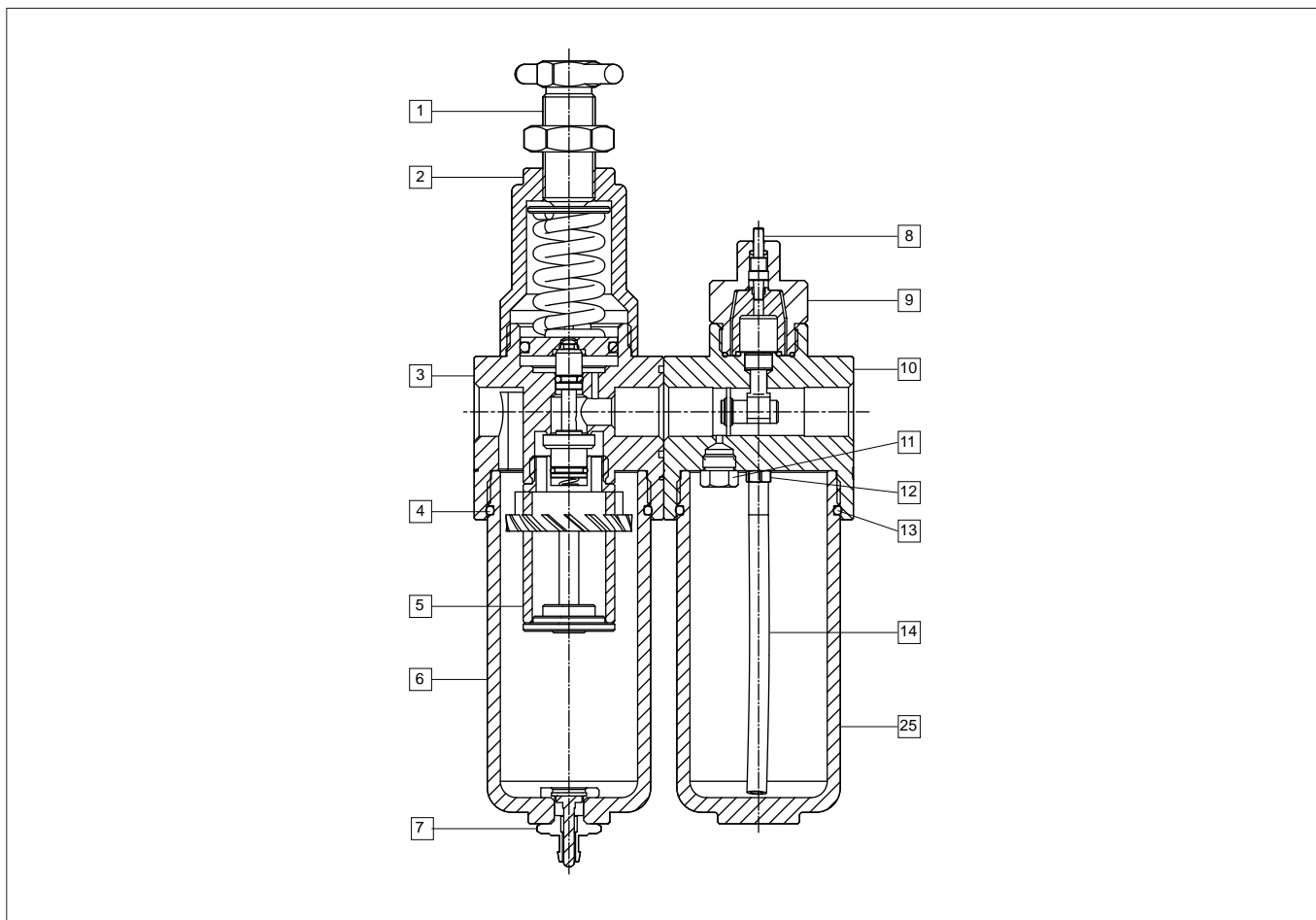
- For high pressure use, corrosion and hemical resistance;
- Good performance in chemically working environments and outdoor facility;
- Suitable for food, medical, chemical, off-shore and mining industry;
- The product effectively removes water and particle;
- Accurate and sensitive pressure setting;
- Lubricator oil can be replenished without stopping air supply.

The modular units are supplied together with the bracket nuts and gouge always in stainless steel material.

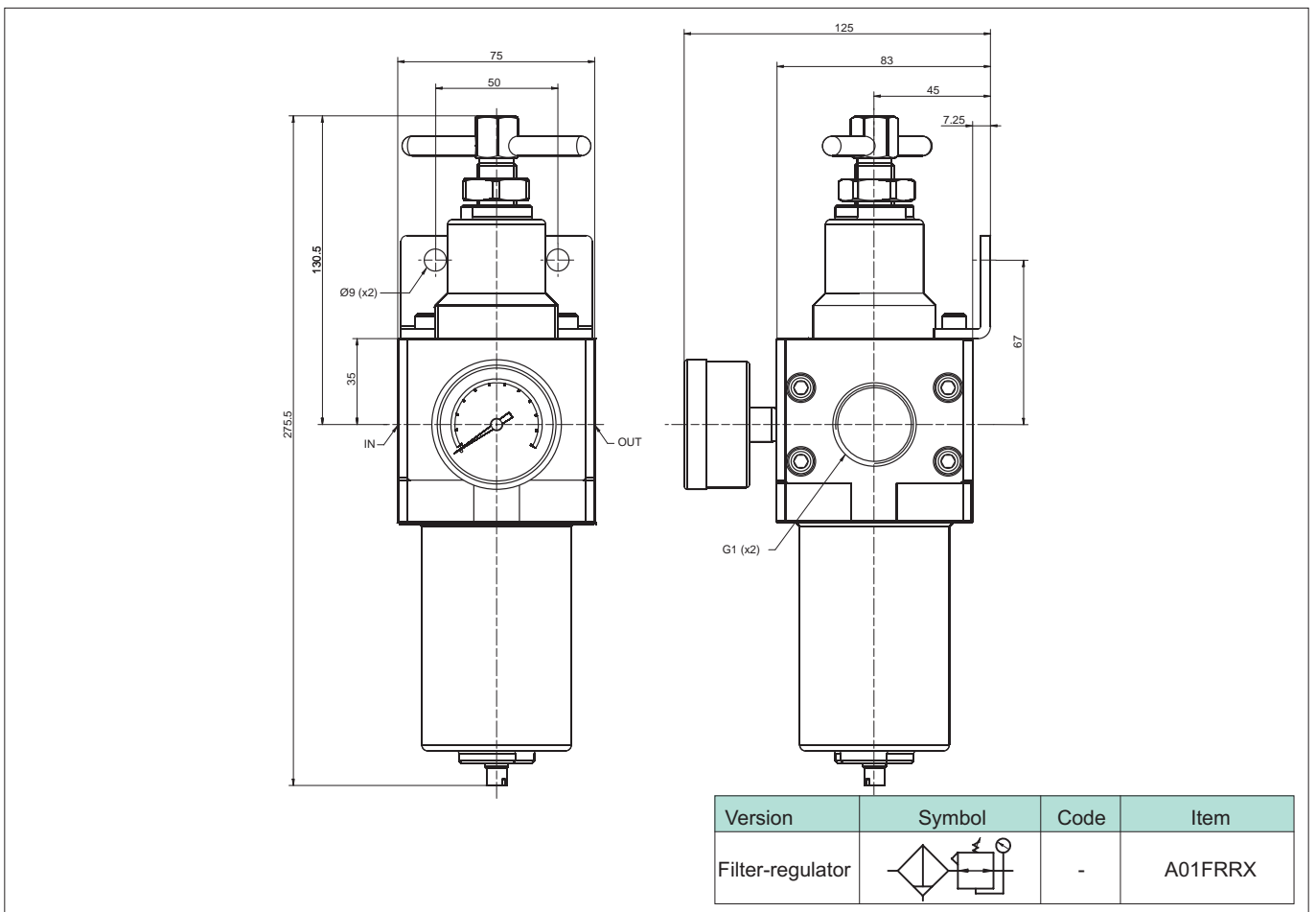
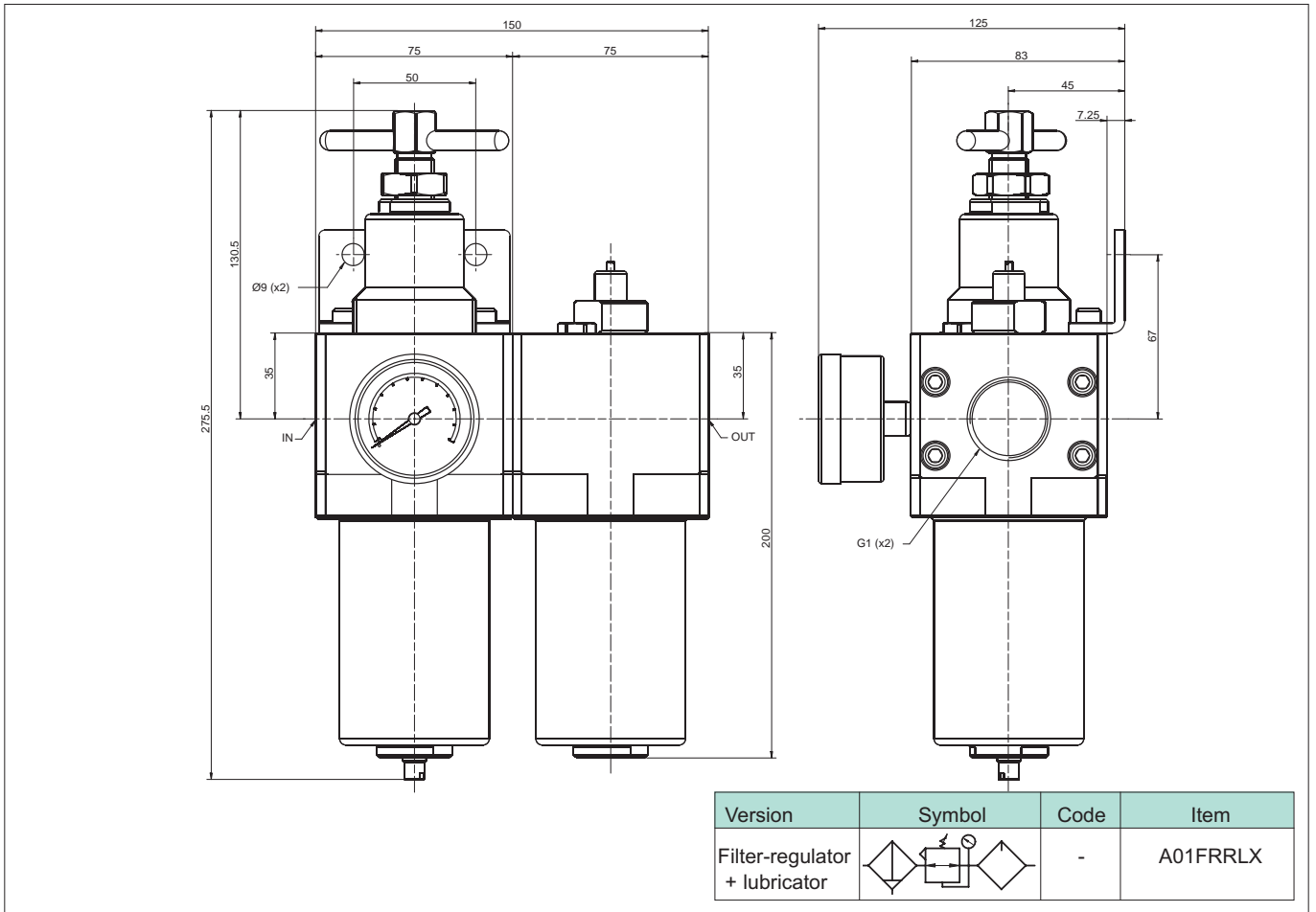
How to order: A01FRRX40NPT

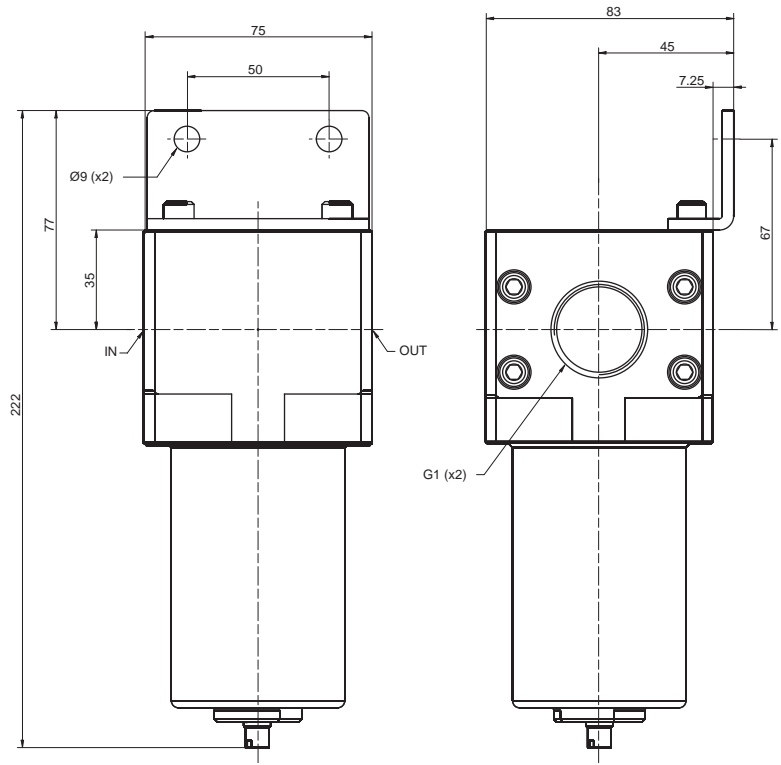
A01FRRX	40	TM
Version	Option	Option

Technical data	
Fluid	Compressed air
Pressure	30 bar
Regulation range	Standard 5 ÷ 30 bar - Upon request 0.5 ÷ 12 bar
Max. flow rate (l/min)	A01FRRLX = 15200; A01FRRX = 21000; A01FX = 19200; A01RX = 22000; A01LX = 26400 A01FRRLXL = 8000; A01FRRXL = 8900; A01FXL = 9600; A01RXL = 9400; A01LXL = 13200
Temperature	-20 ÷ +150 °C (standard) -40 ÷ +150°C (BT)
Suggested oil	With ISO VG 32 viscosity according to normative ISO 3448
Cup capacity	Filter : 200 cm ³ Lubricator : 220 cm ³
Filtering element	Standard 5 µm - Upon request 40 µm
Condense drain	Manual

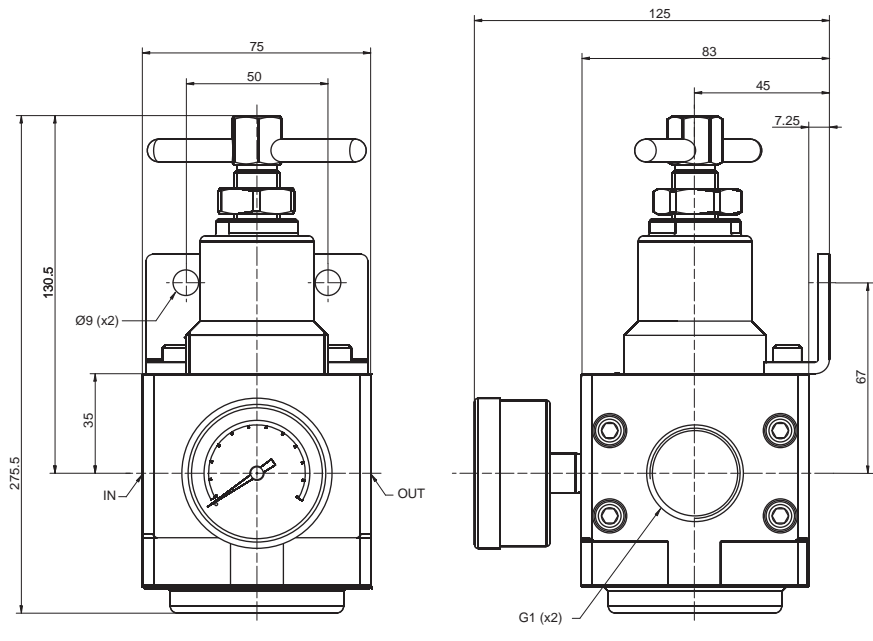


Materials				
1	Pressure regulator screw	Stainless steel AISI 316	9 Lubricator cover	Stainless steel AISI 316
2	Pressure regulator cup	Stainless steel AISI 316	10 Lubricator body	Stainless steel AISI 316
3	Regulator body	Stainless steel AISI 316	11 Cover	Stainless steel AISI 316
4	O-ring seal	FKM (standard) - EPDM (BT)	12 Fitting	Stainless steel AISI 316
5	Filtering element	Stainless steel AISI 316	13 O-ring seal	FKM (standard) - EPDM (BT)
6	Filter cup	Stainless steel AISI 316	14 Pipe	PU
7	Drain unit	Stainless steel AISI 316	15 Lubricator cup	Stainless steel AISI 316
8	Oil regulation screw	Stainless steel AISI 316		

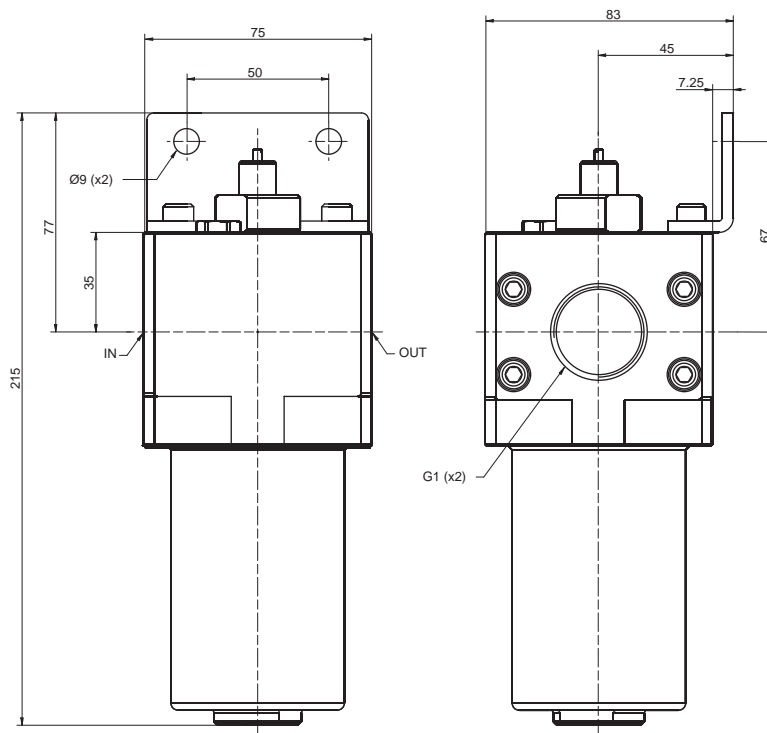




Version	Symbol	Code	Item
Filter		-	A01FX



Version	Symbol	Code	Item
Regulator		-	A01RX



Version	Symbol	Code	Item
Lubricator		-	A01LX