

Stainless Steel ancillary valves

Quick exhaust valves



Execution			
Version	Symbol	Code	Item
11/8"		030810	1VSRX
1/4"		030809	2VSRX
3/8"		030811	3VSRX
1/2"		030812	4VSRX
3/4"		030813	5VSRX
1"		030814	6VSRX



Series of stainless steel quick exhaust valves used to increase the speed of a cylinder.

The valve must be mounted directly on the port of the cylinder to achieve the maximum possible speed.

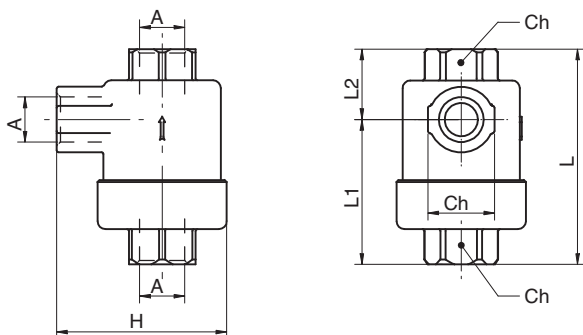
When the supply is in P the diaphragm closes the exhaust R and so the air flows through A into the chamber of the cylinder. When the supply in P fails the diaphragm closes P and this is due to the exhaust air from A to R. The noise of the exhaust can be reduced by a silencer.

For stainless steel silencers see from page 5.190.1

Options	Suffix
Seals FKM max 150 °C	V
Threaded NPTF	NPT

How to order : 2VSRVXNPT

2VSRX	NPT
Version	Option



Version	L	L ₁	L ₂	H	CH
1/8"	37,5	21	16,5	32	22
1/4"	37,5	21	16,5	32	22
3/8"	44,5	25,5	19	37	26
1/2"	54	23	31	45	32
3/4"	79	35	44	65	46
1"	79	35	44	65	46

Technical data						
Fluid	Compressed filtered air with or without lubrication					
Pressure range	2 ÷ 10 bar					
Temperature range	1/8" and 1/4" = -10 °C ÷ + 140 °C, 3/8" - 1/2" - 3/4" and 1" = -20 °C ÷ + 80 °C					
Orifice (mm)	1/8" = 6	1/4" = 8	3/4" = 10	1/2" = 12	3/4" = 16	1" = 18
Materials	Body:	Stainless steel AISI 316L				
	Seals:	1/8" and 1/4" = FKM 3/8" - 1/2" - 3/4" - 1" = Polyurethane				