

Variable displacement axial piston pump type V60N

Thanks to its sturdy construction, the variable displacement axial piston pump is designed for direct flange mounting to the power take-off on commercial vehicle gearboxes, or for standard connection using an SAE flange. The benchmark figures for this product are 130 cm³/rev and 450 bar end pressure, allowing for a wide range of applications. These are supported by a high self-suction speed rating and low noise level. Variations with thru-shaft for flange mounting additional variable displacement axial piston pumps and auxiliary pumps are also available. Several different controllers offer the user a wide range of application possibilities. Particular advantages with regard to the mutual coordination arise from a combined application of variable displacement axial piston pumps with proportional directional spool valves type PSV and possibly required load-holding valves type LHT and LHDV.

Features and benefits:

- Good performance/weight ratio
- High self-suction speed
- Different shaft and flange versions

Intended applications:

- Machines for forestry and agricultural purposes
- Cranes and lifting equipment
- Truck-mounted concrete pumps
- Municipal trucks

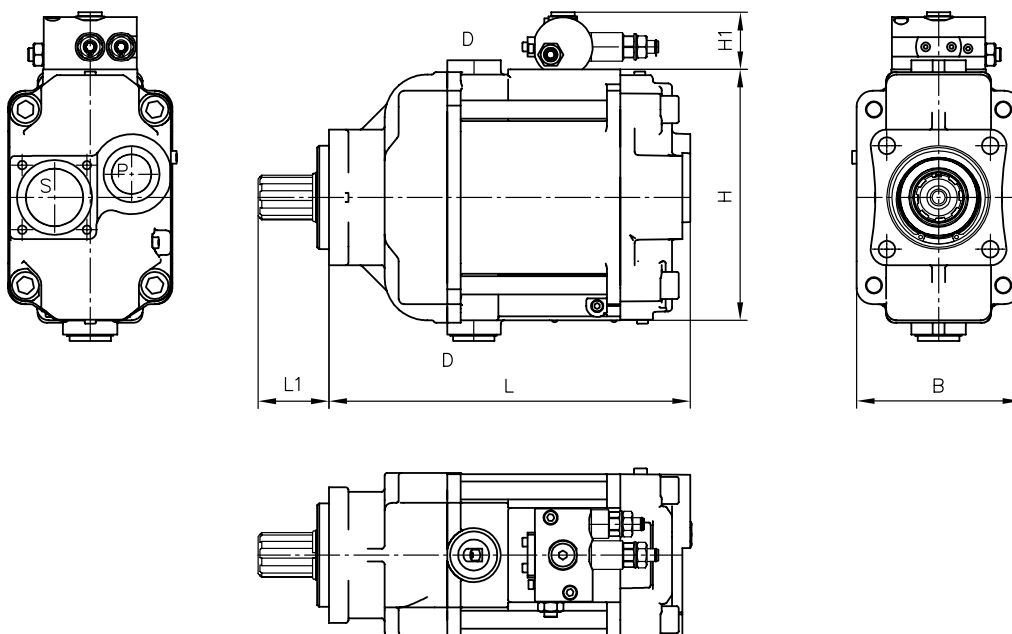


Nomenclature:	Variable displacement axial piston pump
Design:	Individual pump Pump combination
p_{max}:	400 bar (continuous), 450 bar (peak)
V_{g max}:	60 ... 130 cm ³ /rev

Design and order coding example

V60N - 110	R	S F	N	- 1	- 0	- 03	/LSNR	-2	- 320
Pressure specification [bar]									
Additional versions With/without max. stroke limitation									
Controllers									
Load-sensing controller:									
■ For proportional directional spool valve with pressure limitation (LSNR)									
Pressure controller:									
■ For constant pressure systems (NR)									
Power controller, intermediate plate									
■ to restrict the drive torque (/ZL)									
Release									
Additional function									
Shaft version With/without thru-shaft, radial ports									
Seal material ■ NBR (N), FKM (V)									
Shaft journal/flange									
■ ISO 14 parallel key splined shaft (D)									
■ SAE-C, SAE-B J 744 spline shaft (S)									
■ DIN ISO 7653 (Y)									
■ SAE-C, SAE-B J 744 (F)									
Rotation direction Anti-clockwise (L), clockwise (R)									
Basic type, nominal size									
■ Individual pumps									
■ Tandem pumps									

Function

General parameters and dimensions
V60N

Characteristic values

	Geom. delivery volume	Nom. pressure	Self-suction speed	Dimensions [mm]					m [kg]
				V_g [cm ³ /rev]	p_{nom} (p_{max}) [bar]	n [rpm]	L	L1	
V60N - 060	60	350 (400)	2500	254	55	181	44	115	23
V60N - 090	90		2300	277	55	189	44	120	26,7
V60N - 110	110		2200	279	55	191	44	125	29
V60N - 130	130	400 (450)	2100	269,5	55	210	45,1	130	30,8

Ports:

	Drain port D	LS signal port	Suction port S	Pressure port P
V60N - 060	G 3/4	G 1/4	Flange \varnothing 1 1/2	G 1
V60N - 090				
V60N - 110				
V60N - 130				

Example circuit

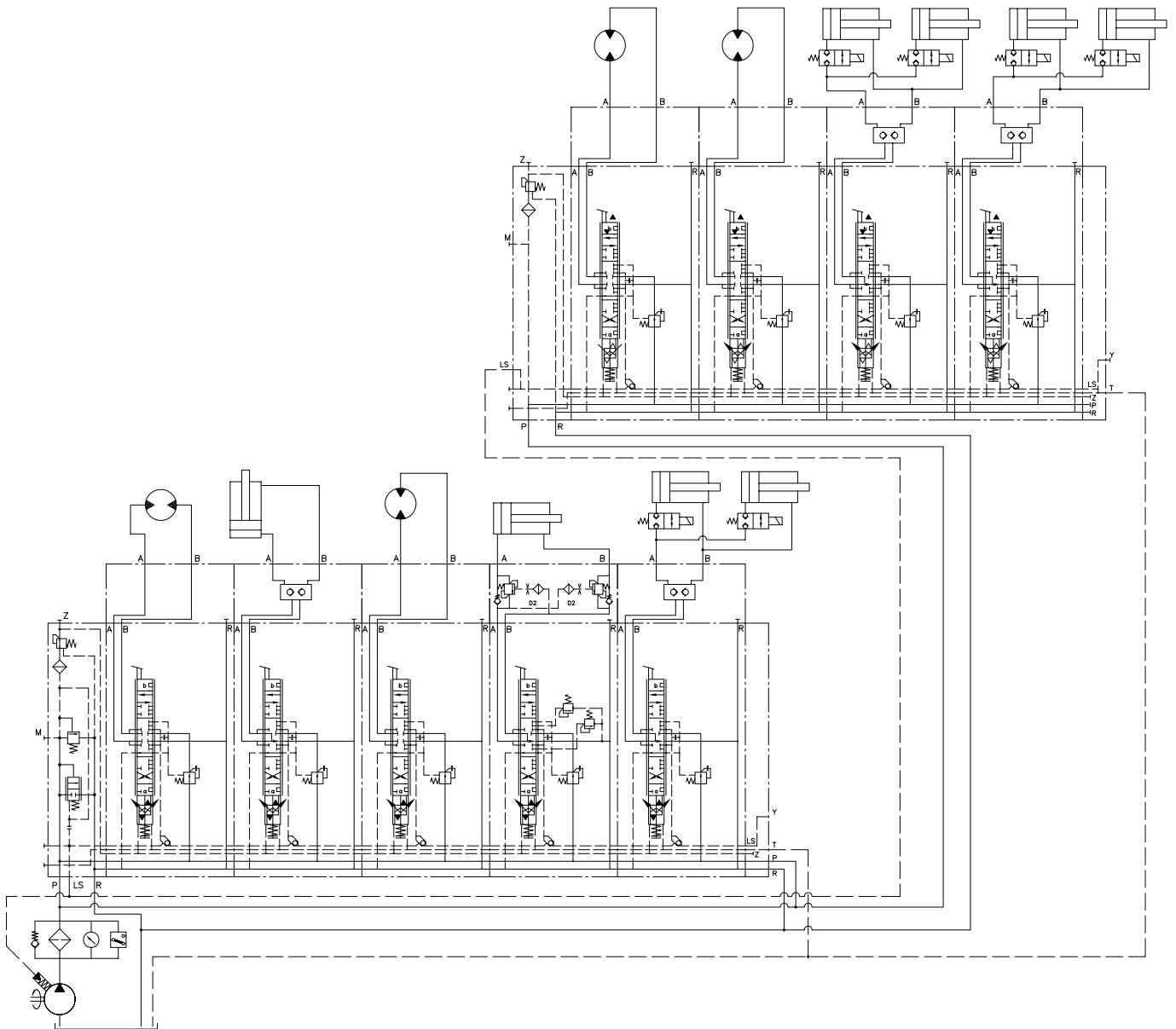
V60N-130 RSFN-1-0-0.00 / LSNR-2-250

PSV 31/D280-2

- A 2 L 25/25/EA1/2
- A 2 H 40/40/EA1/2 DRH
- A 2 L 25/25/EA1/2
- A 2 H 3/3 A 100 B 100/EA1/2 AL-0-D 4/120-BL-0-D 4/120
- A 2 H 3/3/EA1/2 DRH
- E 18-G 24

PSV 31-1

- A2 L 25/25/EA1/2
- A2 L 25/25/EA1/2
- A2 H 3/3/EA1/2 DRH
- A2 H 3/3/EA1/2 DRH
- E 1 - G24



Associated technical data sheets:

- Type V60N variable displacement axial piston pump: [D 7960 N](#)

Similar products:

- Variable displacement axial piston pumps type V40M: [D 7961](#)
- Type V30D and V30E variable displacement axial piston pumps: [D 7960](#), [D 7960 E](#)
- Type K60N fixed displacement axial piston pump: [D 7960 K](#)
- Type M60N axial piston motors: [D 7960 M](#)

Suitable prop. directional spool valves:

- Type PSL/PSV sizes 2, 3 and 5: [D 7700-2](#), [D 7700-3](#), [D 7700-5](#)
- Type PSLF/PSVF sizes 3, 5 and 7: [D 7700-F](#), [D 7700-7F](#)

Suitable load-holding valves:

- Type LHK, LHDV, LHT: [D 7100](#), [D 7770](#), [D 7918](#)