

Miniature hydraulic power packs type NPC

The NPC compact hydraulic power pack can be universally used in short period operation for all consumers with low oil requirements. The energy is supplied by direct current. A pressure-limiting valve is integrated into the intermediate flange. The NPC can be used on construction sites and in other mobile applications. It can be developed into a compact, complete hydraulic control by connecting valves from the VB or BWN(H) ranges.

Features and benefits:

- Very low space requirements and easy to transport
- Supplied with direct current at 12V DC or 24V DC
- Particularly suited to mobile applications
- Long service life and excellent reliability achieved by using radial piston pumps
- Environmentally sound thanks to low oil fill volumes and minimum amount of oil to be disposed of
- Low costs for hydraulic fluid
- Co-ordinated range of valves and accessories from the modular system

Intended applications:

- Rivets
- Ventilation of winch brakes
- Hydraulic jigs
- Crimping



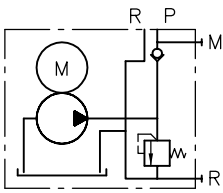
Nomenclature:	Radial piston pump with integrated electric motor (version for 3-phase mains)
Design:	Oil immersed compact hydraulic power pack for short period operation
p_{max}:	750 bar
Q_{max}:	approx. 1.36 lpm (V _g = 0.09 - 0.76 cm ³ /rev)

Design and order coding example

NPC 11	/ 0,87	- 1/170	- R	- G12	BWN 1 - NN - 35 - 1 - G12	
					Valve assembly	<ul style="list-style-type: none"> ■ BWN1, BWH1, VB01 or BVH ■ can be mounted directly, without connection blocks according to D 7470 B/1, D 7302, D 7788 BV
				Motor voltage	12V DC or 24V DC	
			Check valve	With/without check valve		
		Pressure limiting valve and setting	<ul style="list-style-type: none"> ■ 1 = Tool adjustable ■ 2 = Manually adjustable 			
	Delivery flow [lpm]					
Basic type, size	Type NPC, size 11 and 12					

Function

Symbol:



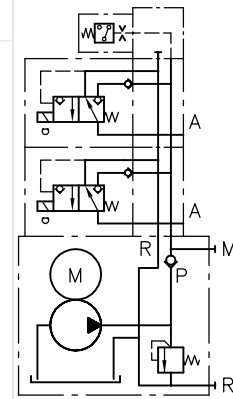
Example circuitry:

NPC 11 / 0,87 - 1/170 - R - G 12

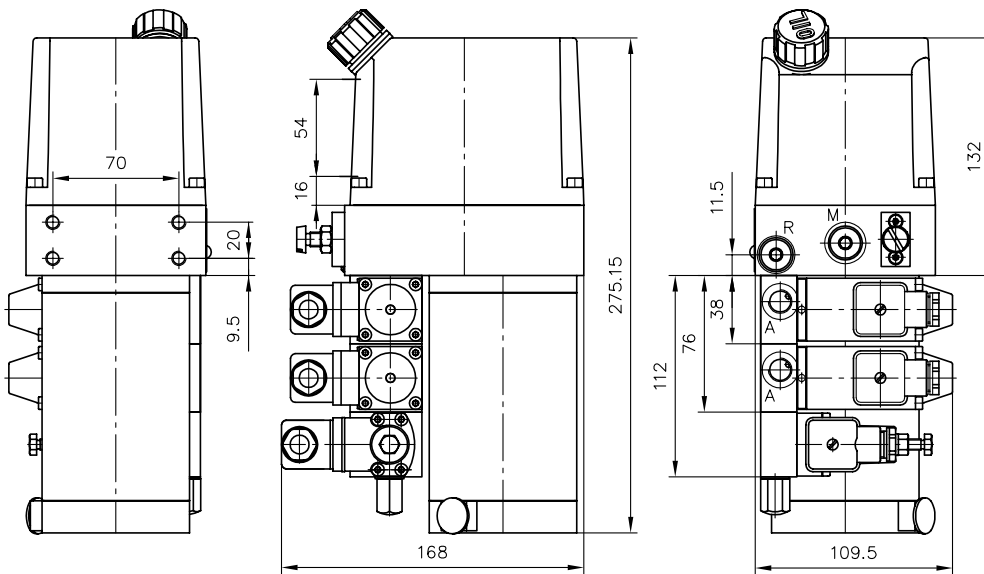
Compact hydraulic power pack type NPC, pump delivery flow approx. 0.87 lpm

BWN 1 - NN - 35 - 1 - G 12

Directly mounted valve bank type BWN with two valve sections and pressure switch for gallery P, solenoid voltage 12V DC



General parameters and dimensions



	Delivery flow						Max. pressure		
	Q _{pu} [lpm]						p _{max} [bar]	P _N [kW]	m [kg]
NPC 11 (24 V)	0.2	0.31	0.44	0.61	0.87	1.05	750	0.1/0.3	6
NPC 11 (12 V)								0.1/0.25	
NPC 12 (24 V)	0.4	0.65	0.94	1.28	1.71	2.14	750	0.6	8
NPC 12 (12 V)								0.6	

Associated technical data sheets:

- Compact hydraulic power pack, type NPC: [D 7940](#)

Directly mountable valve banks:

- Type VB: [D 7032](#)
- Type BVH: [D 7788 BV](#)
- Type BWH, BWN: [D 7470 B/1](#)
- Pressure switches type DG: [D 5440](#), [D 5440 E/1](#), [D 5440 F](#)
- Electronic pressure transducer type DT: [D 5440 T/1](#), [D 5440 T/2](#)