

AE 41

Description

Product group	Wiper
Design	E single-acting
Profile no.	41
Material	NBR 90 3006

Operational application limits

Temperature (°C): -40 to +100
Running speed (m/s): ≤4

Media

Hydraulic oils acc. to DIN 51524
Part 1 - 3, lubricating oils, mineral oil
based lubricating greases, highly non-
flammable hydraulic fluids HFA, HFB,
HFC acc. to VDMA 24317

Function

The AE 41 is a single-acting wiper.
Because it is pressed against the rod,
dirt is wiped from the surface by the
action of the rod as it retracts.

Installation

The wiper is installed in a semi-closed
axial groove.

Remarks

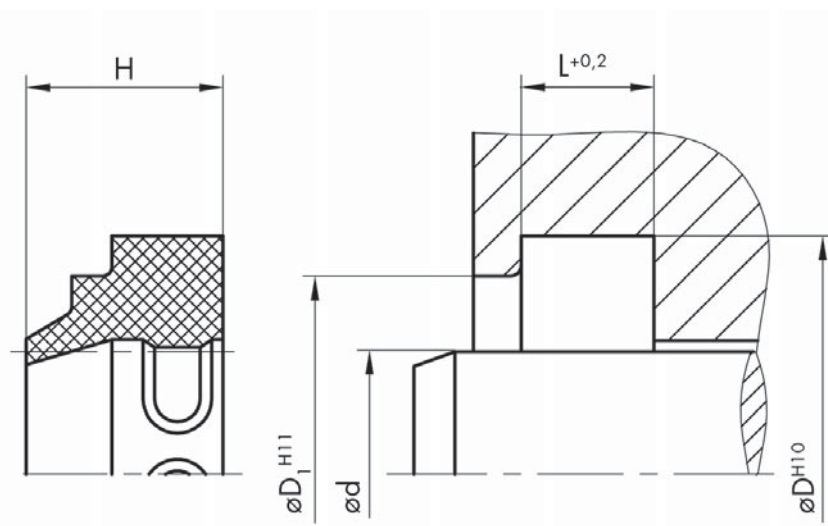
Wipers made of NBR are used in
hydraulics and pneumatics. They are
well suited for piston rods with high
stroke speeds. AE 41 standard
dimensions have pads on the inner
diameter which support the correct
functional fit. Due to the additional
diameter step on the outer fit, the
AE 41 provides better sealing and
exerts a stronger wiping force on the
rod.

Order code

Please include our item numbers in
your order. Should you require non-
standard dimensions, materials or ma-
terial combinations, please use the or-
der code on page 12.

Any seal. Any time.

All the items in our standard programme
(marked red) are standard stock items.
For all other items, please check the
availability at www.dichtomatik.de.



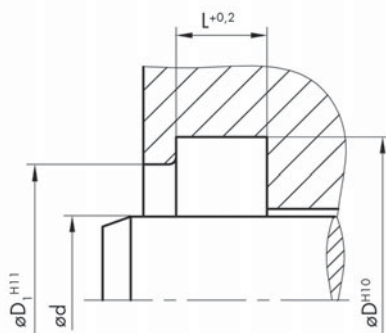
AE 41

Sizes

Item No.	Code	d	D	D ₁	H	L
41181	AE 41	4	12	10	7	4
41182	AE 41	8	16	14	7	4
16608	AE 41	10	18	16	7	4
16609	AE 41	12	20	18	7	4
16610	AE 41	14	22	20	7	4
26005	AE 41	15	23	21	7	4
16589	AE 41	16	24	22	7	4
64570	AE 41	17	25	23	7	4
16590	AE 41	18	26	24	7	4
16591	AE 41	20	28	26	7	4
16592	AE 41	22	30	28	7	4
47	AE 41	23	31	29	7	4
26006	AE 41	24	32	30	7	4
16587	AE 41	25	33	31	7	4
158749	AE 41	25	34	32	8	5
26271	AE 41	26	34	32	7	4
16593	AE 41	28	36	34	7	4
16594	AE 41	30	38	36	7	4
16595	AE 41	32	40	38	7	4
50	AE 41	33	41	39	7	4
25761	AE 41	34	42	40	7	4
16611	AE 41	35	43	41	7	4
16596	AE 41	36	44	42	7	4
44	AE 41	38	46	44	7	4
16597	AE 41	40	48	46	7	4
158739	AE 41	40	50	48	8.5	5
16612	AE 41	42	50	48	7	4
32	AE 41	44	52	50	7	4
16588	AE 41	45	53	51	7	4
158742	AE 41	47	58	56	8	5
16613	AE 41	48	56	54	7	4
16598	AE 41	50	58	56	7	4
6181	AE 41	50	62	59	10	5.5
54	AE 41	54	62	60	7	4
16599	AE 41	55	63	61	7	4
144099	AE 41	55	65		8.5	6
16600	AE 41	56	64	62	7	4
6182	AE 41	57	65	63	7	4
21978	AE 41	58	66	64	7	4
16601	AE 41	60	68	66	7	4
6186	AE 41	60	72	69	10	5.5
34	AE 41	62	70	68	7	4
16602	AE 41	63	71	69	7	4
126126	AE 41	63	73		7	5
55	AE 41	64	72	70	7	4
26008	AE 41	65	73	71	7	4
56	AE 41	66	74	72	7	4
57	AE 41	67	75	73	7	4
16606	AE 41	68	76	74	7	4
21977	AE 41	70	78	76	7	4
34965	AE 41	73	81	79	7	4
16614	AE 41	75	83	81	7	4
173615	AE 41	78	86	84	7	4
16604	AE 41	80	88	86	7	4
61347	AE 41	83	91	89	7	4

AE 41

Sizes



Item No.	Code	d	D	D ₁	H	L
16615	AE 41	85	93	91	7	4
361	AE 41	86	94	92	7	4
173610	AE 41	88	96	94	7	4
16605	AE 41	90	98	96	7	4
376	AE 41	93	101	99	7	4
26009	AE 41	95	103	101	7	4
6200	AE 41	97	105	103	7	4
16586	AE 41	100	108	106	7	4
381	AE 41	102	114	111	10	5.5
415	AE 41	106	118	115	10	5.5
16616	AE 41	110	118	116	7	4
38523	AE 41	110	122	119	10	5.5
6211	AE 41	113	121	119	7	4
6231	AE 41	114	122	120	7	4
26010	AE 41	115	127	124	10	5.5
448	AE 41	118	130	127	10	5.5
25929	AE 41	120	132	129	10	5.5
16607	AE 41	125	137	134	10	5.5
173611	AE 41	128	140	137	10	5.5
26011	AE 41	130	142	139	10	5.5
6289	AE 41	131	139	137	7	4
26012	AE 41	135	147	144	10	5.5
26013	AE 41	140	152	149	10	5.5
26014	AE 41	145	157	154	10	5.5
6373	AE 41	149	157	155	7	4
26015	AE 41	150	162	159	10	5.5
173612	AE 41	152	164	161	10	5.5
173613	AE 41	155	167	164	10	5.5
37773	AE 41	160	172	169	10	5.5
40	AE 41	165	177	174	10	5.5
575	AE 41	166	178	175	10	5.5
6384	AE 41	168	176	174	7	4
602	AE 41	170	182	179	10	5.5
627	AE 41	175	187	184	10	5.5
41	AE 41	180	192	189	10	5.5
134011	AE 41	180	192		16	10
6404	AE 41	185	197	194	10	5.5
6418	AE 41	188	196	194	7	4
631	AE 41	190	202	199	10	5.5
6439	AE 41	195	207	204	10	5.5
42	AE 41	200	212	209	10	5.5
173614	AE 41	210	218	216	7	4
633	AE 41	210	225	222	13	6.5
72673	AE 41	210	230			14.5
43	AE 41	220	235	232	13	6.5
134010	AE 41	220	235		18	13
75902	AE 41	240	248		10	5.5
680	AE 41	240	255	251	13	6.5
719	AE 41	250	265	262	13	6.5
725	AE 41	300	315	311	13	6.5
121462	AE 41	330	345		13	6.5
130326	AE 41	420	435		13	6.5