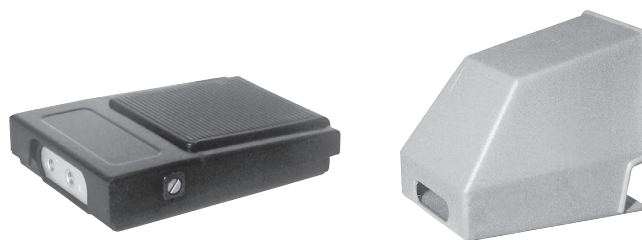


# Foot operated valves $\varnothing 4$ , M5 and 1/4"

## $\varnothing 4$ -M5, 3/2 normally closed and 5/2 foot single stable position



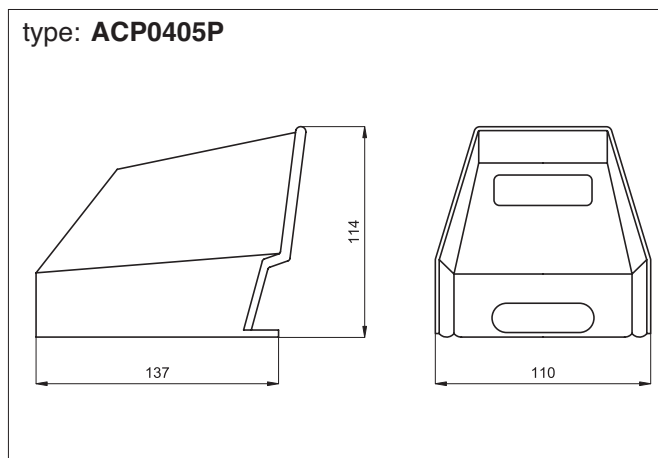
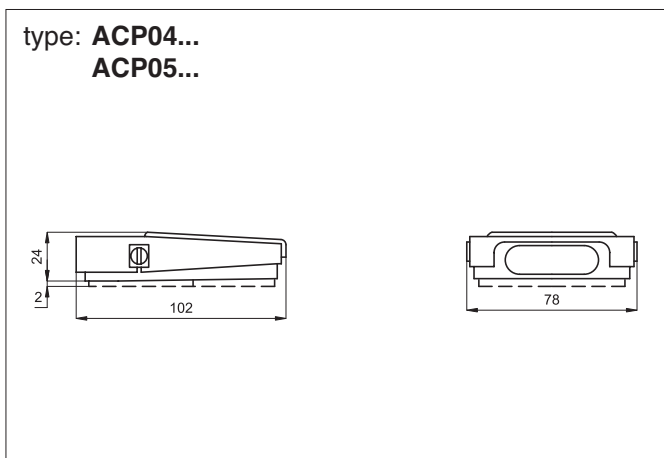
Executions			
Version	Symbol	Code	Item
3/2, normally closed with integral 4 mm push-in fittings		033173	ACP04132C
3/2, normally open with integral 4 mm push-in fittings		033174	ACP04132A
3/2, normally closed with M5 ports		033175	ACP05132C
5/2, 1 position with integral 4 mm push-in fittings		033177	ACP041520
5/2, 1 position with M5 ports		033178	ACP051520
Yellow protection cover		033179	ACP0405P



Series of pedals at low flow and with reduced dimensions, single stable position and with poppet valve. In the standard version they are without protection; the protection cover type ACP0405P can be applied later on and is supplied separately. They can be supplied with M5 ports valve or with integral 4 mm push-in fittings.



2



Technical data	
Fluid	Compressed filtered air with or without lubrication. Lubrication, if be used, must be continuous.
Pressure range	2 ÷ 10 bar
Temperature range	-15 °C ÷ + 60°C
Orifice	2,5 mm
Flow	100 NI/min
Operating force	24 N
Materials	Housing: Black zinc plated steel Valve body: Profiled anodised aluminium Valve internal parts: Nickel plated brass/Stainless steel - Seals: NBR Protection cover: Shock-resistant acetal resin