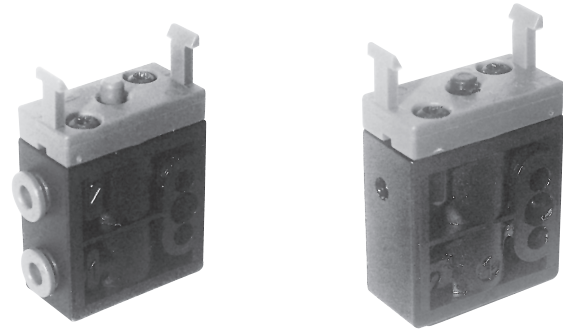


Microvalves \varnothing 4 and manual operating devices

Microvalves \varnothing 4, 3/2 normally open and normally closed

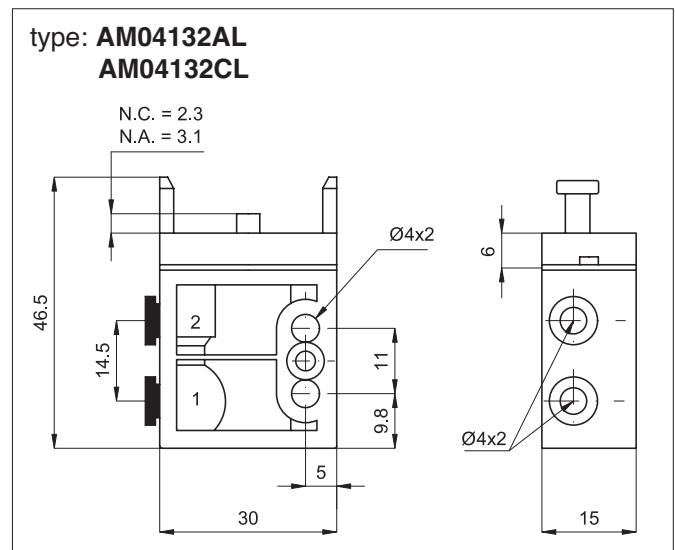
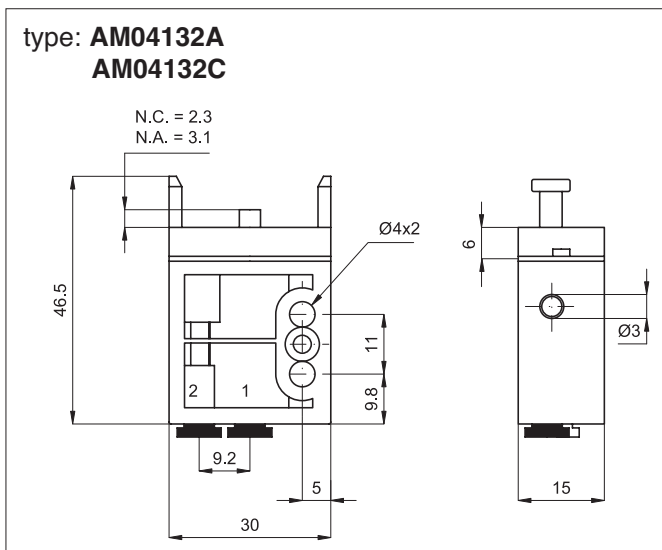


| Executions | | | |
|---------------------------------------|--------|--------|-----------|
| Version | Symbol | Code | Item |
| Normally open | | 030251 | AM04132A |
| Normally closed | | 030252 | AM04132C |
| Normally open with side connections | | 030253 | AM04132AL |
| Normally closed with side connections | | 030254 | AM04132CL |



Series of poppet microvalves arranged for operating manually. Connections with integral 4 mm push-in fittings. According to the application you can choose between the version with bottom connections or with side ones. For the choice of the operating device see page 2.265.1.

2



| Technical data | |
|-------------------|---|
| Fluid | Compressed filtered air with or without lubrication. Lubrication, if be used, must be continuous. |
| Pressure range | 0 ÷ 8 bar |
| Temperature range | -20 °C ÷ + 80 °C |
| Operating force | 5 N |
| Flow | 80 NI/min. |
| Connections | With integral 4 mm push-in fittings |
| Fixing | Through 2 holes (\varnothing 4 mm) on the body |
| | Through 1 hole (\varnothing 22 mm) on panel (with operating device mounted) |
| Mounting | In any position |
| Materials | Body: Acetal resin |
| | Seals: Nitrile rubber (NBR) |