

Valves series A1

1/4", 3/2, manually operated



| Executions | | | |
|-------------------------------|--------|--------|-----------|
| Version | Symbol | Code | Item |
| 3/2 NC side lever, 1 position | | 034077 | A1MA230LL |
| 3/2 side lever, 2 positions | | 034076 | A1MA232LL |
| 3/2 top lever, 2 positions | | 034100 | A1MA232LT |
| 3/2 NC push-pull, 1 position | | 034103 | A1MA230TT |
| 3/2 push-pull, 2 positions | | 034104 | A1MA232TT |



Series of spool valves, with static seals, high flow, for panel or sub-base mounting.



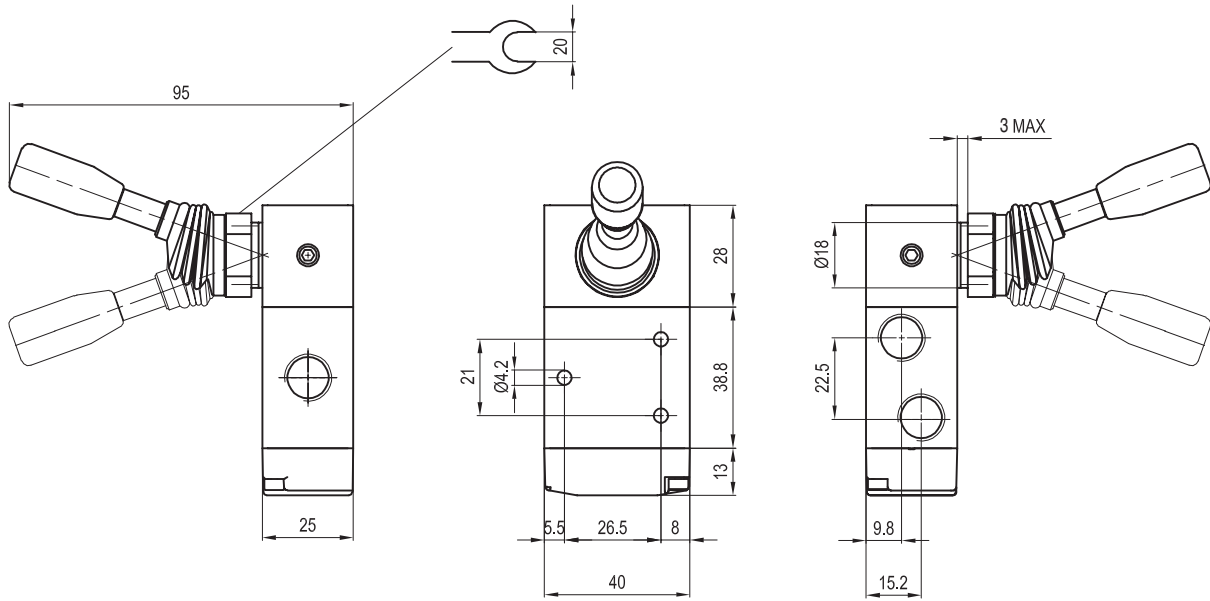
On request, they can be supplied according Directive 94/9/EC - **ATEX**
CE **II 2 GDc T5**

Code key

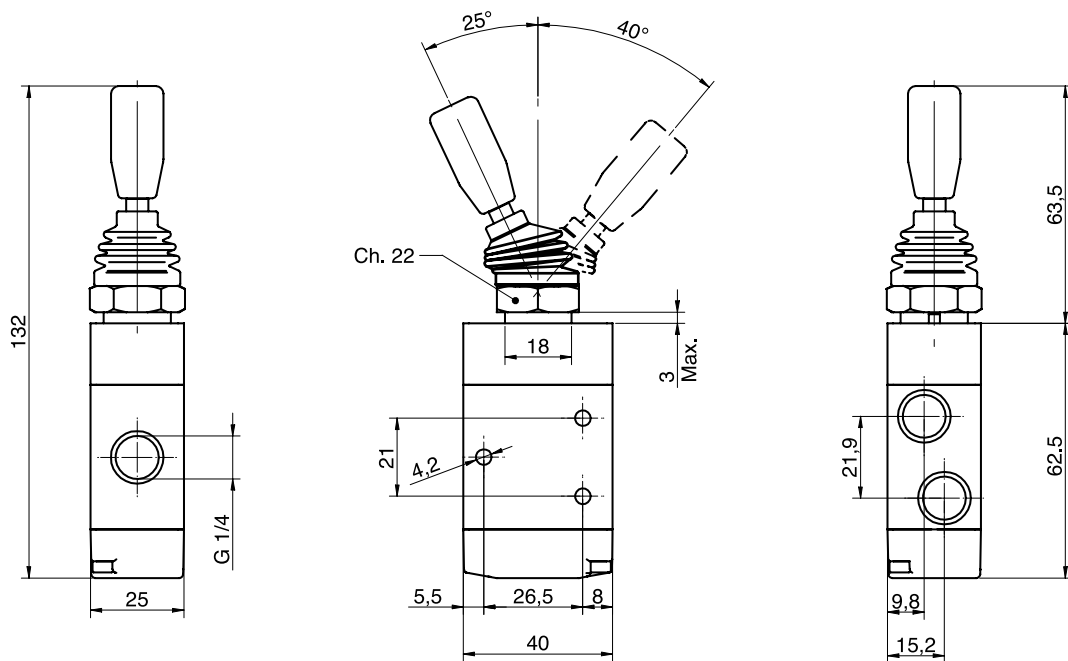
| Series | Actuation | Size | Function | Actuation |
|--------|-----------|----------------------|---|--|
| A1 | MA=Manual | 1 = 1/8" 2 = 1/4" | 30 = 3/2 NC spring return 32 = 3/2 two stable positions 50 = 5/2 spring return 51 = 5/2 two stable positions 70 = 5/3 CC spring return 71 = 5/3 CA spring return 72 = 5/3 CP spring return 73 = 5/3 CC 3 positions 74 = 5/3 CA 3 positions 75 = 5/3 CP 3 positions | LL = side lever LT = top lever TT = push-pull FR = red head push button FV = green head push button FN = black head push button BR = red recessed button BV = green recessed button BN = black recessed button |

| Technical data | |
|-------------------|--|
| Fluid | Compressed filtered air with or without lubrication. Lubrication, if be used, must be continous. |
| Pressure range | 0 ÷ 10 bar |
| Temperature range | -10 °C ÷ + 80°C |
| Orifice | 8 mm |
| Flow | 1100 NI/min at 6 bar with ΔP 1 bar |
| Mounting | In any position |
| Materials | Body: Aluminium Cover: Aluminium Bottom plates: Plastic Spool: Chemical nickel plated aluminium Distancers: Plastic Seals: Nitrile rubber (NBR) Lever: Steel |

Valves series A1
1/4", 3/2, manually operated



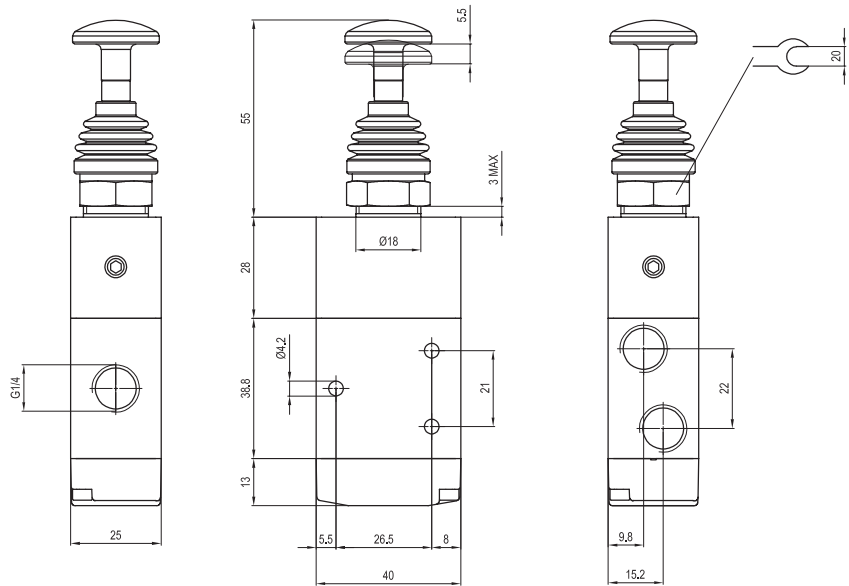
| Version | Symbol | Code | Item |
|----------------------------------|--------|--------|-----------|
| 3/2 NC side lever, 1 position | | 034077 | A1MA230LL |
| 3/2 side lever, 2 positions | | 034076 | A1MA232LL |



| Version | Symbol | Code | Item |
|-------------------------------|--------|--------|-----------|
| 3/2 top lever, 2 positions | | 034100 | A1MA232LT |

2

Valves series A1
 1/4", 3/2, manually operated



| Version | Symbol | Code | Item |
|---------------------------------|--------|--------|-----------|
| 3/2 NC push-pull, 1 position | | 034103 | A1MA230TT |
| 3/2 push-pull, 2 positions | | 034104 | A1MA232TT |