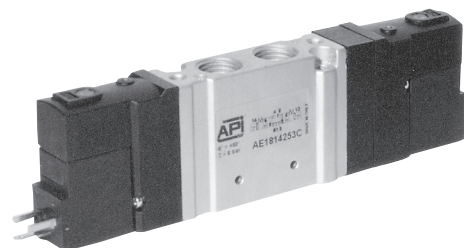


Electrically and pneumatically operated valves, sizes 15 and 18 mm

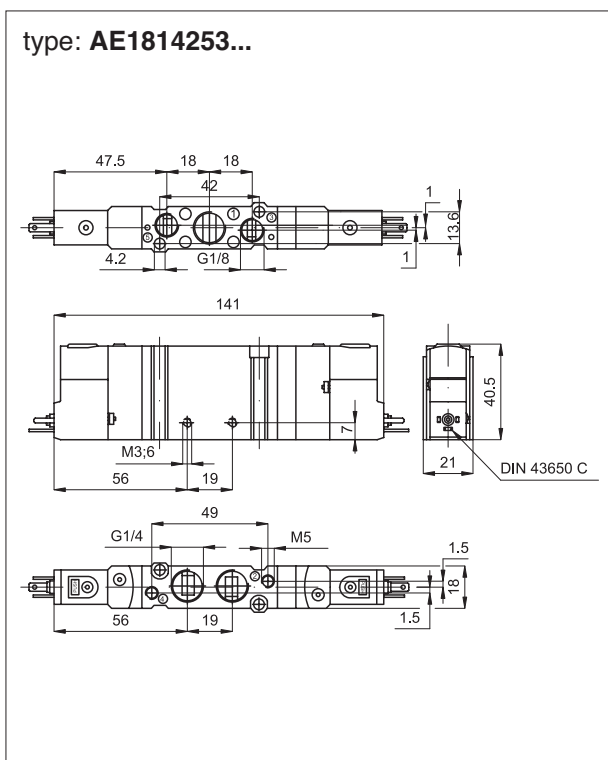
Size 18 mm, 5/3 electric



Executions			
Version	Symbol	Code	Item
1/4" ports, with closed centres		035241	AE1814253C
1/4" ports, with open centres		035244	AE1814253A
1/4" ports, with pressurised centres		035247	AE1814253P
EXTERNAL AIR PILOT			
1/4" ports, with closed centres		035251	AE1814253CK
1/4" ports, with open centres		035254	AE1814253AK
1/4" ports, with pressurised centres		035257	AE1814253PK



Note: The fixing screws for mounting on sub-base are included in the base kit.
The maximum torque of the fixing screw of the coil must not exceed 1Nm.



Series of spool valves with reduced dimensions and low electrical consumption, thanks to which they can be operated directly by electronic systems.

The ports are available in various configurations for mounting on base or single use; in case of single use the relevant fixing plate must be applied.

Coils and connectors are to be ordered separately.

For the fixing plate type PF 1518 see page 2.20.1.

For the coils type ASA 18.. see page 2.200.1.

For the connectors type A05207.. see page 2.210.1.

For the sub-bases type SB18.. see page 2.40.1.

In the external air pilot versions the ports for external piloting are M5.

The exhausts are 1/8".

Technical data	
Fluid	Compressed filtered air with or without lubrication. Lubrication, if be used, must be continous.
Pressure range	3 ÷ 8 bar With external air pilot: 0 ÷ 8 bar
Temperature range	-5 °C ÷ + 50°C
Orifice	8 mm
Flow	700 NI/min
Manual override	Single stable position, flat
Response time	Energising: 24 ms De-energising: 35 ms
Mounting	In any position
Materials	Body: Die-cast aluminium Heads: Acetal resin Seals: Nitrile rubber (NBR)