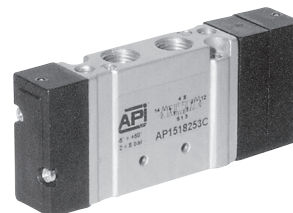


Electrically and pneumatically operated valves, sizes 15 and 18 mm

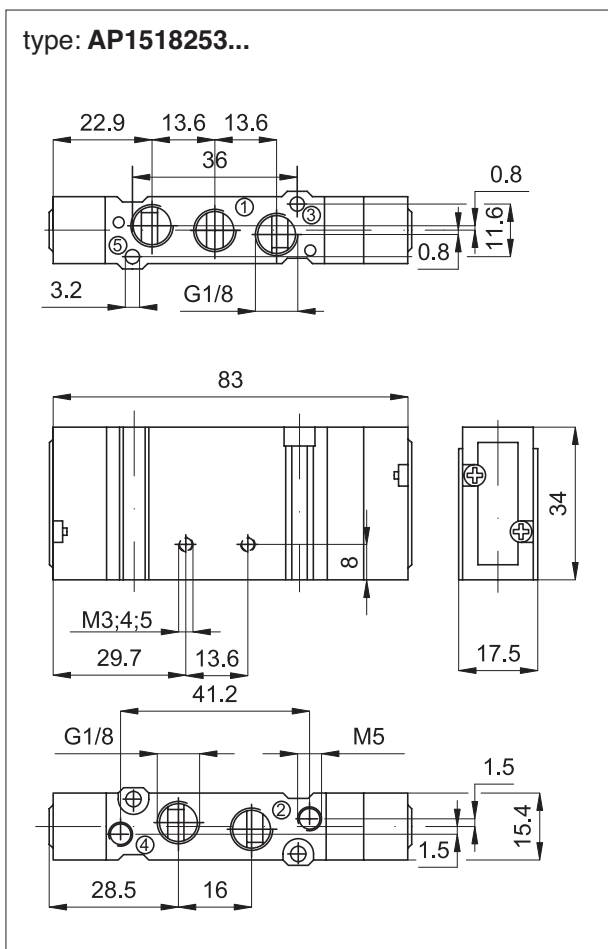
Size 15 mm, 5/3 pneumatic



Executions			
Version	Symbol	Code	Item
1/8" ports, with closed centres		035141	AP1518253C
1/8" ports, with open centres		035144	AP1518253A
1/8" ports, with pressurised centres		035147	AP1518253P



Note: The fixing screws for mounting on sub-base are included in the base kit.



Series of spool valves with reduced dimensions. The ports are available in various configurations for mounting on base or single use; in case of single use the relevant fixing plate must be applied.

For the fixing plate type PF 1518 see page 2.20.1.
For the sub-bases type SB15.. see page 2.20.1.

The air piloting ports are M5 threaded.

Technical data	
Fluid	Compressed filtered air with or without lubrication. Lubrication, if be used, must be continous.
Pressure range	2 ÷ 8 bar
Temperature range	-5 °C ÷ + 50°C
Orifice	6 mm
Flow	600 NI/min
Mounting	In any position
Materials	Body: Die-cast aluminium Heads: Acetal resin Seals: Nitrile rubber (NBR)

