

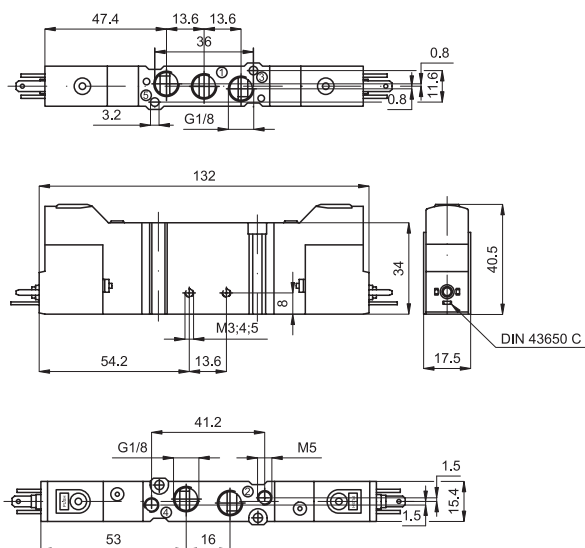
Executions			
Version	Symbol	Code	Item
1/8" ports, with closed centres		035091	AE1518253C
1/8" ports, with open centres		035094	AE1518253A
1/8" ports, pressurised centres		035097	AE1518253P
EXTERNAL AIR PILOT			
1/8" ports, with closed centres		035101	AE1518253CK
1/8" ports, with open centres		035104	AE1518253AK
1/8" ports, pressurised centres		035107	AE1518253PK

Note: The fixing screws for mounting on sub-base are included in the base kit.

The maximum torque of the fixing screw of the coil must not exceed 1Nm.



type: **AE1518253...**



Series of spool valves with reduced dimensions and low electrical consumption, thanks to which they can be operated directly by electronic systems.

The ports are available in various configurations for mounting on base or single use; in case of single use the relevant fixing plate must be applied.

Coils and connectors are to be ordered separately.

For the fixing plate type PF 1518 see page 2.20.1.

For the coils type ASA 18.. see page 2.200.1.

For the connectors type A05207.. see page 2.210.1.

For the sub-bases type SB1.. see page 2.20.1.

In the external air pilot versions the ports for external piloting are M5.

Technical data	
Fluid	Compressed filtered air with or without lubrication. Lubrication, if be used, must be continuous.
Pressure range	3 ÷ 8 bar With external air pilot: 0 ÷ 8 bar
Temperature range	-5 °C ÷ + 50°C
Orifice	6 mm
Flow	600 NI/min
Manual override	Single stable position, flat
Response time	Energising: 24 ms De-energising: 35 ms
Mounting	In any position
Materials	Body: Die-cast aluminium Heads: Acetal resin Seals: Nitrile rubber (NBR)