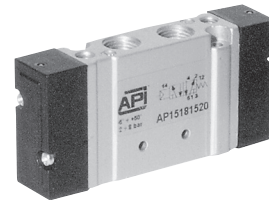


Electrically and pneumatically operated valves, sizes 15 and 18 mm

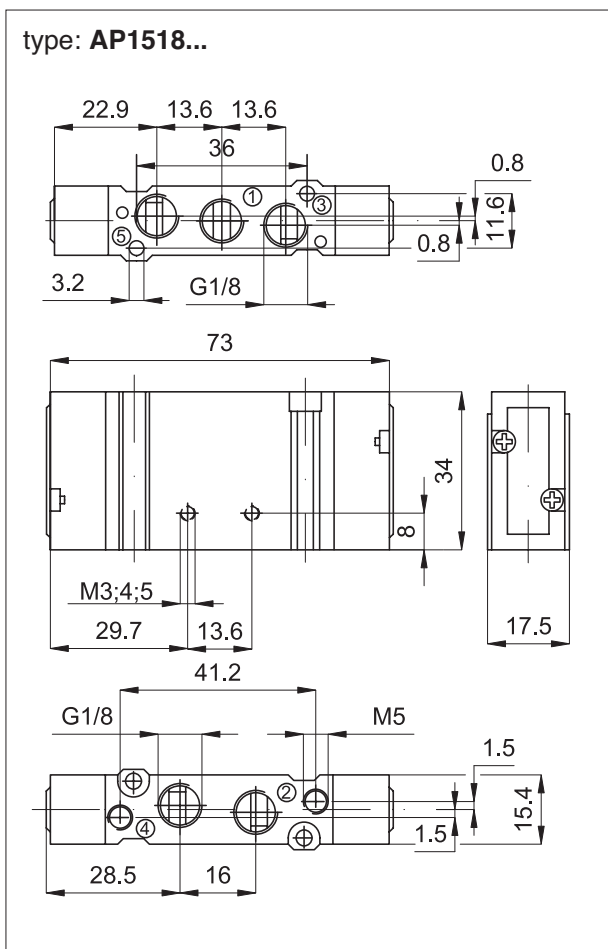
Size 15 mm, 5/2 pneumatic single and two stable position



Executions			
Version	Symbol	Code	Item
1/8" ports, single stable position		035111	AP15181520
1/8" ports, two stable positions		035121	AP15182520
1/8" ports two stable positions, differential		035131	AP15182521



Note: The fixing screws for mounting on sub-base are included in the base kit.



Series of spool valves with reduced dimensions. The ports are available in various configurations for mounting on base or single use; in case of single use the relevant fixing plate must be applied.

For the fixing plate type PF 1518 see page 2.20.1.
For the sub-bases type SB15.. see page 2.20.1.

The air piloting ports are M5 threaded.

Technical data	
Fluid	Compressed filtered air with or without lubrication. Lubrication, if be used, must be continous.
Pressure range	2 ÷ 8 bar
Temperature range	-5 °C ÷ + 50°C
Orifice	6 mm
Flow	800 NI/min
Mounting	In any position
Materials	Body: Die-cast aluminium Heads: Acetal resin Seals: Nitrile rubber (NBR)