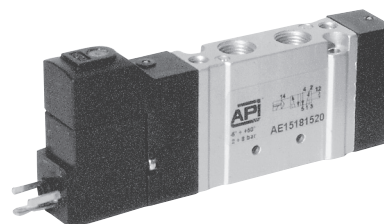


Electrically and pneumatically operated valves, sizes 15 and 18 mm

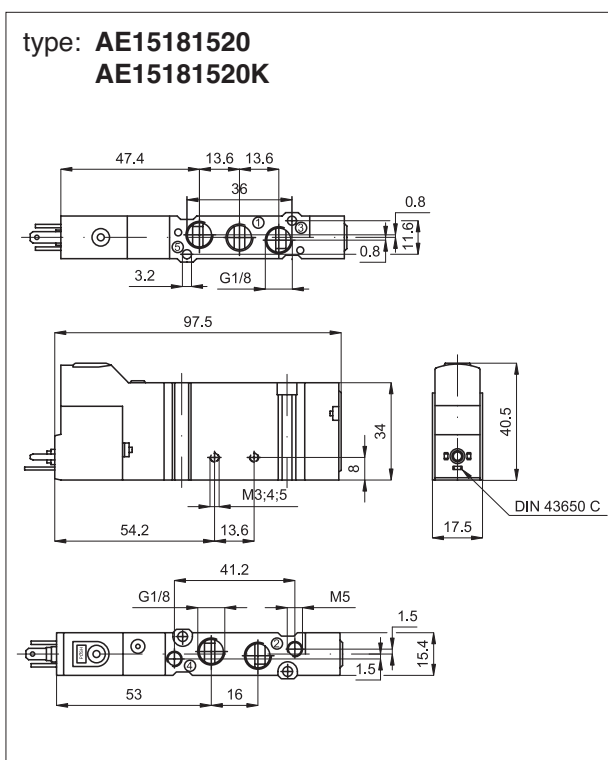
Size 15 mm, 5/2 electric single stable position



Executions			
Version	Symbol	Code	Item
1/8" ports		035051	AE15181520
EXTERNAL AIR PILOT			
1/8" ports		035061	AE15181520K



Note: The fixing screws for mounting on sub-base are included in the base kit.
The maximum torque of the fixing screw of the coil must not exceed 1Nm.



Series of spool valves with reduced dimensions and low electrical consumption, thanks to which they can be operated directly by electronic systems.

The ports are available in various configurations for mounting on base or single use; in case of single use the relevant fixing plate must be applied.

Coils and connectors are to be ordered separately.

For the fixing plate type PF 1518 see page 2.20.1.

For the coils type ASA 18.. see page 2.200.1.

For the connectors type A05207.. see page 2.210.1.

For the sub-bases type SB15.. see page 2.20.1.

In the external air pilot versions the ports for external piloting are M5.

Technical data	
Fluid	Compressed filtered air with or without lubrication. Lubrication, if be used, must be continuous.
Pressure range	2 ÷ 8 bar With external air pilot: 0 ÷ 8 bar
Temperature range	-5 °C ÷ + 50°C
Orifice	6 mm
Flow	800 NI/min
Manual override	Single stable position, flat
Response time	Energising: 24 ms De-energising: 35 ms
Mounting	In any position
Materials	Body: Die-cast aluminium Heads: Acetal resin Seals: Nitrile rubber (NBR)