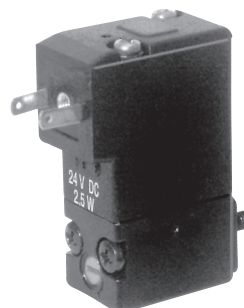


# 15 mm directly operated solenoid valves

## 3/2, normally open and normally closed



Executions			
Version	Symbol	Code	Item
3/2, N. C. 12 V DC		034601	AE05C01200
3/2, N. C. 24 V DC		034602	AE05C02400
3/2, N. C. 24 V AC		034603	AE05C02450
3/2, N. C. 110 V AC		034604	AE05C11050
3/2, N. C. 230 V AC		034605	AE05C22050
3/2, N. A. 12 V DC		034611	AE05A01200
3/2, N. A. 24 V DC		034612	AE05A02400
3/2, N. A. 24 V AC		034613	AE05A02450
3/2, N. A. 110V AC		034614	AE05A11050
3/2, N. A. 230 V AC		034615	AE05A22050



Series of directly operated poppet valves for single or manifold sub-bases, standard with coil and without connector. The single base is M5 threaded. The manifold bases can be supplied with M5 ports or with integral 4 mm push-in fitting. For sub-bases see page 2.2.2. For the connectors type A19207.. see page 2.210.10.

Note: The maximum couple of locking of M3 screws must not exceed 0,5 Nm.  
(The locking screws are included together with the valve).

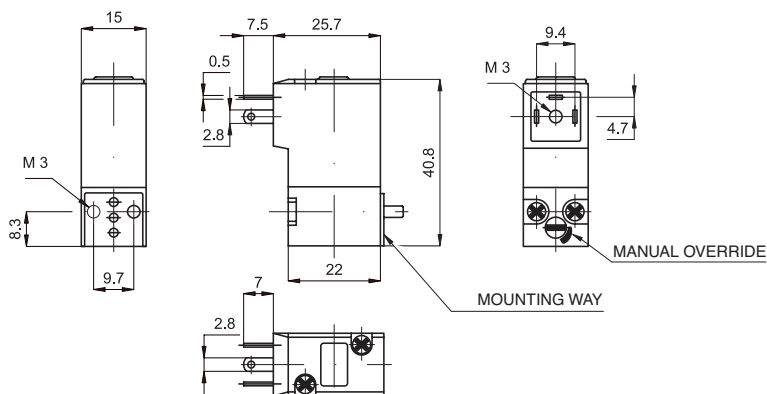
Technical data	
Fluid	Compressed filtered air with or without lubrication
Pressure range	Normally closed: 0 ÷ 10 bar      Normally open 0 ÷ 8 bar
Temperature range	-15 °C ÷ + 50°C
Orifice	Normally closed: 1,2 mm      Normally open: 1 mm
Nominal flow at 6 bar	Normally closed: 29 NI/min      Normally open: 26 NI/min
Manual override	Two stable position, flat
Response time	10 ÷ 15 ms
Mounting	In any position
Duty cycle	ED 100%
Voltage tolerance	± 10%
Protection class	IP 65 (with connector already mounted)
Electrical consumption	2,5 W
Materials	Body:                      Acetal resin Internal parts:            Acetal resin - stainless steel Seals:                        Nitrile rubber (NBR) Screws:                      Zinc plated steel

# 15 mm directly operated solenoid valves

## 3/2, normally open and normally closed

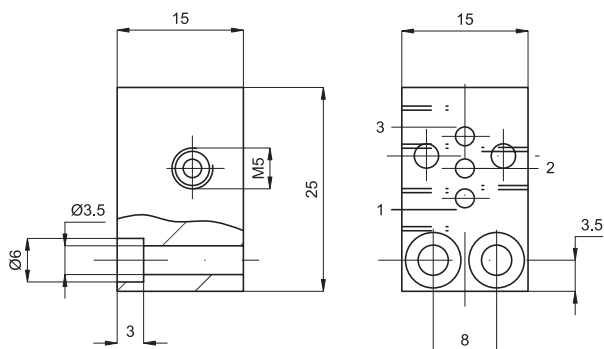


type: **AE05...**



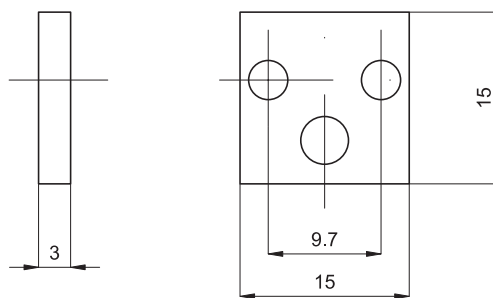
Single base

type: **ABAS05S**



Closing plate

type: **ABAS05T**

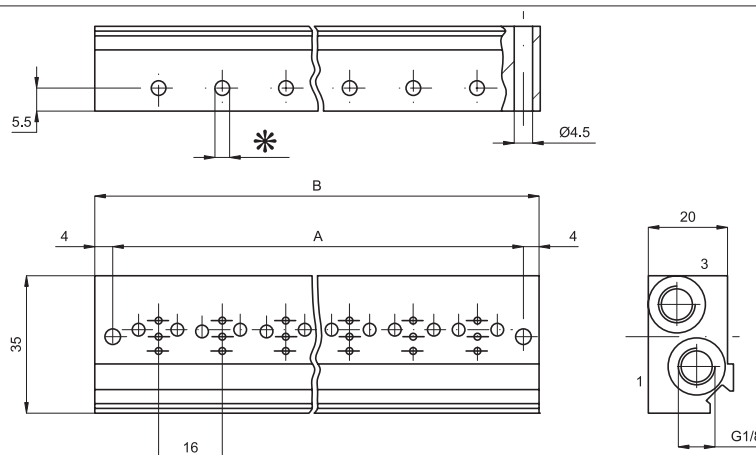


Code	Item
034621	ABAS05S

Code	Item
034622	ABAS05T

Manifold base

type: **ABAS05...**



With M5 ports				With push-in fitting 4 mm tube ports					
Code	Item	Positions	*	Code	Item	Positions	*	A	B
034625	ABAS050205	2	M5	034641	ABAS050204	2	4 mm.	39	47
034626	ABAS050305	3		034642	ABAS050304	3		55	63
034627	ABAS050405	4		034643	ABAS050404	4		71	79
034628	ABAS050505	5		034644	ABAS050504	5		87	95
034629	ABAS050605	6		034645	ABAS050604	6		103	111
034630	ABAS050705	7		034646	ABAS050704	7		119	127
034631	ABAS050805	8		034647	ABAS050804	8		135	143
034632	ABAS050905	9		034648	ABAS050904	9		151	159
034633	ABAS051005	10		034649	ABAS051004	10		167	175