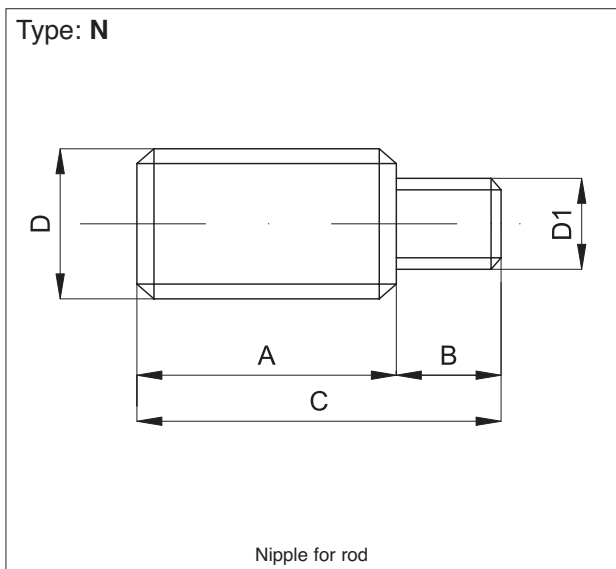


Code	Item	∅ mm	A ₁	B	E ₂ ∅ (H8)	H ₅ ∅	Z	B ₁
040070	CM16ALB	16	8	6	6	12	7	14
040071	CM20ALB	20	10	8	8	16	9	18
040072	CM25ALB	25	10	8	8	16	9	18
040073	CM32ALB	32	13	10	10	20	14	23
040074	CM40ALB	40	15	12	12	24	16	27
040075	CM50ALB	50	15	12	12	24	17	27
040076	CM63ALB	63	19	16	16	32	22	35
040077	CM80ALB	80	19	16	16	32	22	35
040078	CM100ALB	100	23	20	20	40	26	43

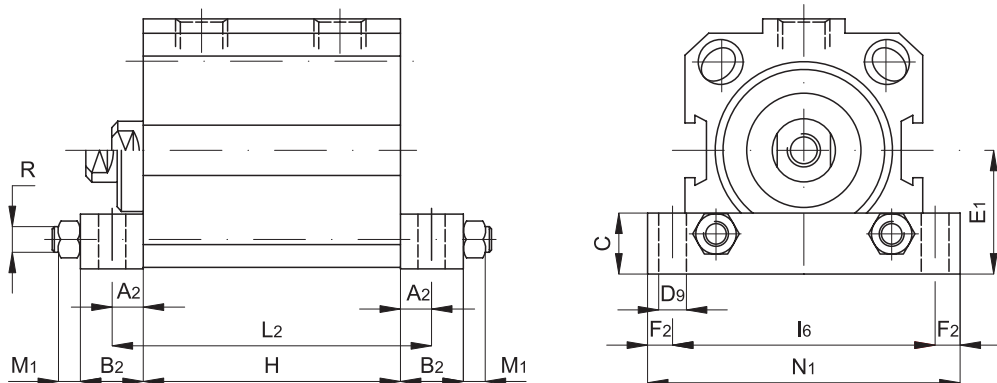
Material: Aluminium
Note: This accessory must be ordered together with the cylinder.



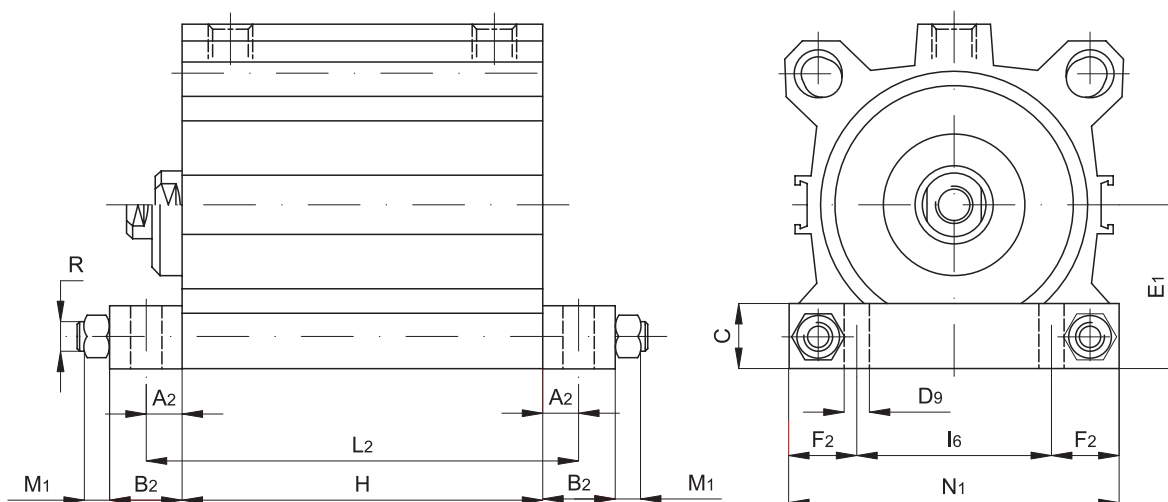
Code	Item	∅ mm	D	D ₁	A	B	C
040079	N6-3AQB	12	6x1	M3	16	6,5	22,5
040080	N6-4AQC	16	6x1	M4	15	8	23
040081	N8-5AQB	20-25	8x1,25	M5	20	10	30
040082	N10-6AQB	32-40	10x1,25	M6	22	12	34
040083	N12-8AQB	50-63	12x1,25	M8	24	14	38
040084	N16-8AQB	50-63	16x1,5	M8	32	14	46
040085	N16-10AQB	80	16x1,5	M10	32	15	47
040086	N20-12AQB	100	20x1,5	M12	40	20	60

Material: Zinc plated steel

Type: P



High foot $\varnothing 16 \div 63$



High foot $\varnothing 80 \div 100$

The dimension H is according to the stroke and the bore of the cylinder.

The kit includes 2 high feet; the tie rods for the mounting of the feet are not included.
Material: Aluminium.

Code	Item	\varnothing mm	A ₂	B ₂	C	D ₉ \varnothing	E ₁	F ₂	I ₆	L ₂	M ₁	N ₁	R \varnothing
040087	P16ALB	16	5	10	10	3,5	17	5	30	H*+10	2,4	40	M3
040088	P20ALB	20	5	10	10	5,5	18	5	40	H*+10	4	50	M5
040095	P25ALB	25	6	12	12	5,5	20	7,5	45	H*+12	4	60	M5
040089	P32ALB	32	6	12	12	5,5	24	5	50	H*+12	4	60	M5
040090	P40ALB	40	6	12	12	5,5	27,5	5	60	H*+12	4	70	M5
040091	P50ALB	50	7,5	15	15	6,5	32,5	5	70	H*+15	5	80	M6
040092	P63ALB	63	7,5	15	15	8,5	40	7,5	85	H*+15	6,5	100	M8
040093	P80ALB	80	10	20	20	8,5	50	20	60	H*+20	6,5	100	M8
040094	P100ALB	100	10	20	20	10,5	62	22	80	H*+20	8	124	M10