

CLA

VISUAL LEVEL INDICATORS

MATERIALS

Visual level indicators, tank side mounting.

Transparent part:
Trogamid T

Anti-shock protection:
painted steel

Fixing bolts:
zinc plated steel

Seals:
NBR Nitrile
(FKM - on request fluoroelastomer)

Double scale thermometer
(Celsius and Farenheit) option available.

Tightening torque for the fixing bolts 10 Nm.

PRESSURE

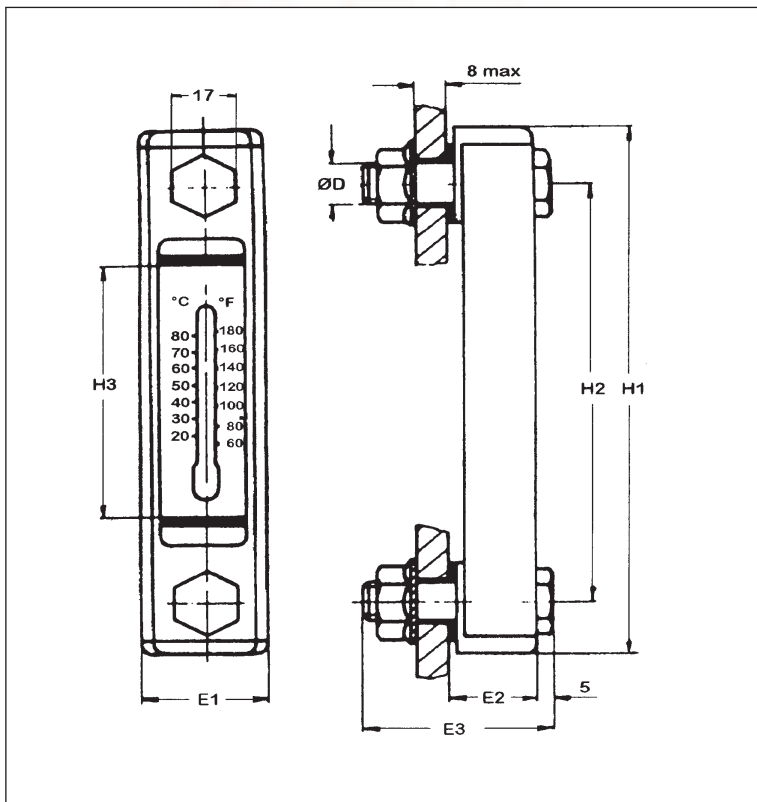
Max pressure allowed 100 kPa (1 bar).

WORKING TEMPERATURE

From -20°C to +90°C



Is this datasheet
the latest release?
Please check
on our website.



DIMENSIONS

	H1	H2	H3	D	E1	E2	E3
CLA11M10NW	108	76	32	M10	35	24	50
CLA11M10NT	108	76	32	M10	35	24	50
CLA12M12NW	160	127	78	M12	35	24	50
CLA12M12NT	160	127	78	M12	35	24	50
CLA13M12NW	286	254	202	M12	35	24	50
CLA13M12NT	286	254	202	M12	35	24	50

ORDERING AND OPTION CHART

C TYPE	C = ACCESSORY PRODUCT	C	C	C
L A FAMILY, SIZE & LENGTH		11	12	13
M CONNECTION TYPE	M = metric thread	M	M	M
CONNECTION SIZE	10 = M10	10	10	-
	12 = M12	12	12	12
N SEALS	N = NBR Nitrile	N	N	N
ACCESSORIES	W = without	W	W	W
	T = with thermometer	T	T	T