

# CSE

## AIR BREATHERS WITH SPIN-ON CARTRIDGE

### MATERIALS

Adaptor:  
zinc plated steel

Basket:  
zinc plated steel

Cartridge can:  
steel

Filter media:  
CC = Cellulose  
FD = Inorganic fiber

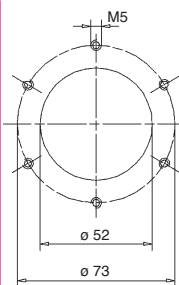
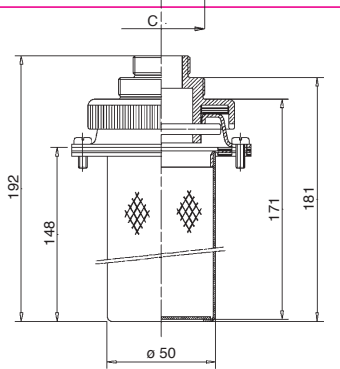
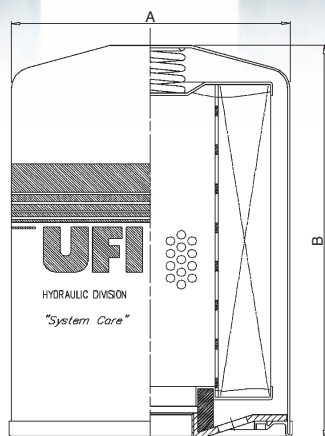
Filtration degree (in air): 3µm

### COMPATIBILITY

Full with fluids HH - HL - HM - HR - HV - HG (according to ISO 6743/4). For fluids different than the above mentioned, please contact our Sales Department.

### WORKING TEMPERATURE

From -25°C to 110°C



tank connection:  
DIN 24557/2

Without can

CODE:  
012.0053.2



Is this datasheet the latest release? Please check on our website.



Technical data subject to variations without prior notice. CSE - EN - 03/2011

### DIMENSIONS

Cellulose = CC Inorganic fiber = FD		Flow rate (l/min)	A	B	C
CSE11SWC	<input type="checkbox"/> <input type="checkbox"/>	1.800	96	146	3/4" BSP
CSE12SWC	<input type="checkbox"/> <input type="checkbox"/>	1.800	96	191	3/4" BSP
CSE21SWC	<input type="checkbox"/> <input type="checkbox"/>	2.800	129	181	1 1/4" BSP
CSE22SWC	<input type="checkbox"/> <input type="checkbox"/>	2.800	129	226	1 1/4" BSP

### ORDERING AND OPTION CHART

<b>C TYPE</b>					<b>ELEMENT</b>				<b>A</b>	
C = ACCESSORY PRODUCT					C	C	C	C		
<b>S E</b>	<b>FAMILY, SIZE &amp; LENGTH</b>					<b>FAMILY, SIZE &amp; LENGTH</b>				<b>S E</b>
						11	12	21	22	
<b>S CONNECTION TYPE</b>										
S = standard flange					S	S	S	S		
<b>W PRESSURIZATION VALVE</b>										
W = without					W	W	W	W		
<b>C SEALS</b>					<b>SEALS</b>				<b>X</b>	
C = sugheroil (flange type)					C	C	C	C		
<b>FILTER MEDIA</b>					<b>FILTER MEDIA</b>					
FD = glassfiber					FD	FD	FD	FD	FD = glassfiber	
CC = cellulose					CC	CC	CC	CC	CC = cellulose	