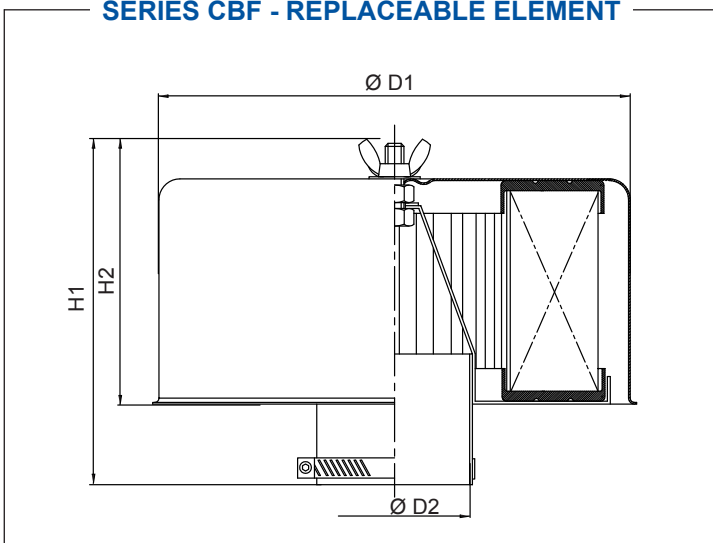


# CBF

## CLAMP MOUNTING

### SERIES CBF - REPLACEABLE ELEMENT



### DIMENSIONS

	Flow rate (l/min)	D1	D2	H1	H2	kg
CBF11C40	1.000	122	40	120	92	0,60
CBF11C52	1.500	122	52	120	92	0,60
CBF21C70	3.000	220	70	145	125	1,60
CBF21C76	4.000	220	76	145	125	1,60

### ORDERING AND OPTION CHART

<b>C TYPE</b>		<b>ELEMENT</b>		<b>E</b>
C = ACCESSORY PRODUCT		C	C	
<b>B F</b>	<b>FAMILY, SIZE &amp; LENGTH</b>	<b>FAMILY, SIZE &amp; LENGTH</b>		<b>B F</b>
		11	21	
<b>C</b>	<b>CONNECTION TYPE</b>			
	C = clamp	C	C	
	<b>CONNECTION SIZE</b>			
	40 = hole ø 40 mm	40	-	
	52 = hole ø 52 mm	52	-	
	70 = hole ø 70 mm	-	70	
	76 = hole ø 76 mm	-	76	
	<b>FILTER MEDIA</b>	<b>FILTER MEDIA</b>		
	VD = velvet mesh	VD	VD	VD = velvet mesh
	FD = glassfiber	FD	FD	FD = glassfiber
	CD = cellulose	CD	CD	CD = cellulose

### MATERIALS

Housing:  
Painted steel (black)

Clamp:  
Stainless steel

### SPARE FILTER ELEMENT

VD - Velvet mesh  
Filtration degree (in air) 10µm.

FD - Glass fiber (on request only)  
Filtration degree (in air) 2,5µm.

CD - Cellulose (on request only)  
Filtration degree (in air) 10µm.

### COMPATIBILITY

Full with fluids HH-HL-HM-HV-HTG (according to ISO 6743/4). For fluids different than the above mentioned, please contact our Sales Department.

### WORKING TEMPERATURE

From -25°C to 110°C



Is this datasheet the latest release? Please check on our website.



Technical data subject to variations without prior notice. CBF - EN - 03/2011